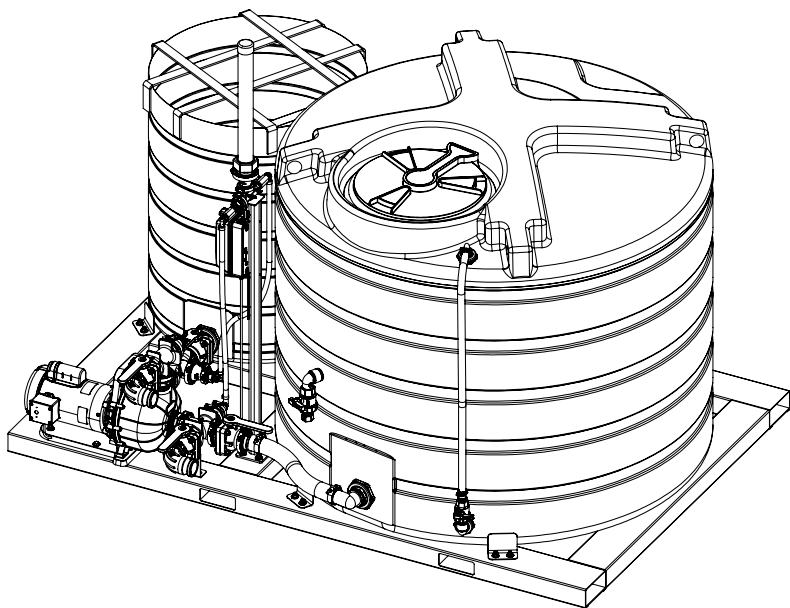


BRINE MASTER 1600[®]

OWNER'S MANUAL



Product Code:
IMSBM1600

Version 1.0

Copyright © Enduraplas. All Rights Reserved.



CONTENTS

INTRODUCTION 3

WARNINGS  4 - 5

GETTING STARTED 6 - 7

OPERATION 8 - 11

MAINTAINING 12

TROUBLESHOOTING 13

WARRANTY 14 - 17

PARTS BREAKDOWNS 18 - 22

INTRODUCTION

Congratulations! You now own an Camion™ Brine Master®. Durable design and construction assure you a lifetime of extreme performance.

Take a look through this owner's manual to learn how the pros use their Camion™ Brine Master®.



Watch Instruction Videos:

www.youtube.com

Discover More Helpful Tips:

www.IceControlTraining.com

WARNINGS

1. To ensure your own safety and that of others, you must comply with all relevant environmental, work place health, safety legislation and codes of practice.
2. Select and wear appropriate Personal Protection Equipment in accordance with the label of the product you intend to use.
3. Once the mixing operation has been completed, decontaminate the tank and spray accessories. Dispose of tank rinsing's in compliance with current environmental, work place health and safety regulations.
4. Improper or careless use of this brine maker can cause serious injury. Minors should never be allowed to use this brine maker. This brine maker should not be used when bystanders or animals are in the area. This brine maker should never be used while children are in the area.
5. Never leave the brine maker unattended without turning off the pump and relieving any line pressure.
6. You must be in good mental health to operate this brine maker and not be under the influence of alcohol or any drugs that could impair your vision, physical strength, dexterity, judgment, or other mental capacity.
7. No modifications and/or alterations may be made to this brine maker. Any such modifications not only void the warranty but can make the unit dangerous to anyone operating the pump.
8. Always inspect hoses and piping to avoid burst injuries

Discover More Helpful Tips:
www.IceControlTraining.com

GETTING STARTED

Electrical Requirements

The Brine unit requires a 115 volt, 20 amp circuit to operate. It comes supplied with waterproof wiring and plug ready to hook up. You will need a 115 volt outlet with a 20 amp breaker in your box. If you do not have this set up, use a certified electrician to install your power supply and follow all local code requirements.

Setting-up your Brine Master®

1) Ensure your Brine Master® is positioned so you have access to all port hook ups and the control panel.



2) Make sure your unit is level by using the base frame as your levelling point and adding shims underneath the frame accordingly.

3) Next, connect your fresh water supply hose to valve #3 and your discharge supply hose to valve #4.



GETTING STARTED**Setting-up your Brine Master®**

4) To achieve best results with your brine maker, use a good quality salt. The quality of your salt aides in speeding up the brining process and will eliminate having to clean out screens as often.



5) It is recommended to first fill the unit with fresh water to ensure there are no leaks and your power supply is correct.

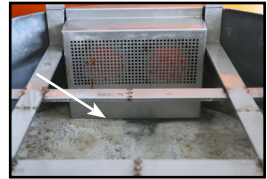
OPERATION

First Batch of Brine

1) To start your first batch turn on your pump and open valves #1 and #3 to fill your hopper.



2) Fill your hopper to the bottom of the screen with fresh water.



3) You can begin filling your hopper with salt. Load your salt to the back of the hopper, away from the screen so as not to obstruct it.



4) Always load salt slowly to avoid spillage. Your first batch of brine will require more salt as you are starting with a hopper of fresh water. On consecutive batches you will load less salt as you start with a hopper of mixed brine.

5) Continue to add salt to the hopper while your system is filling with fresh water.

OPERATION**First Batch of Brine**

6) Reference the site gauge tube on your holding tank - Once it reaches 400 gallons stop adding fresh water - We recommend marking or putting a piece of tape to note this level.



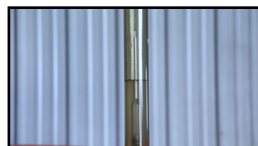
7) Now you will start the brining process. See below for valve positioning.



8) Continue to add salt to the hopper checking the salinity in the clear site tube. To do this, open the valve to the clear tube until your hydrometer is floating.



9) Then close this valve. The level at which the hydrometer floats is your salinity reading.



10) Then open the opposite valve to drain the clear tube.



11) Once your salinity reader reads at 23%, position valves to discharge to your storage tank. See below for valve positioning.



OPERATION

First Batch of Brine

12) As you are discharging your finished batch to your storage tank, fill your hopper with salt for your next batch. This will force some of the brine into your holding tank increasing your batch size.



13) Once all brine is discharged rotate valves to load fresh water and repeat steps.



MAINTAINING

The unit requires proper care for longevity and proper operation. Follow all requirements for pump and motor by reviewing their manuals that are included.

At the beginning of each brining session ensure there are no hose or fitting leaks.

The filter screen should be cleaned of any debris that would cause a flow issue. Simply wipe off screen and disposing of debris in a trash can.

DO NOT leave salt brine in pump unit over long periods of time of non use. This can cause salt creep and can move into motor and seize up. Best practice is to clean all salt out of the unit by flushing it with fresh water after use to prevent salt from hardening in the bottom of the hopper. Hardened salt can take a very long time to dissolve on the next use.

Always clean unit with fresh water at the end of every season to clean out all brine left in brine maker to insure proper operations for the following years.

TROUBLESHOOTING

CONDITION	REMEDY
Flow rate is dropping	1) Check for a blockage on the screen.
Hopper is backing up or overflowing	1) Ensure there is no blockage on internal hopper screen. 2) Clean debris or salt away from the screen. 3) Make sure you are not filling your orange brining tank over 400 gallons.
Pump will not turn on	1) Check breakers and relays. Reset if needed. 2) Check adequate power supply. 3) Verify wiring is in good condition.



Watch Instruction Videos:

www.youtube.com

Discover More Helpful Tips:

www.IceControlTraining.com

WARRANTY

1. Poly Tank Limited Warranty - Subject to other terms in this Limited Warranty, Manufacturer warrants to the original end user that this Tank will be free from material defects caused during the manufacturing process for a period of 5 years from the Purchase Date provided such warranty to the original end user shall be extended to 10 years from the Purchase Date if the original end user registers the Tank with Manufacturer within 30 days of the Purchase Date. To register the Limited Warranty, registration must be completed in accordance with the requirements set forth at enduraplaswarranty.com

Other Products and Parts Limited Warranty - Subject to other terms in this Limited Warranty, Manufacturer warrants to the original end user that products and parts manufactured by Manufacturer (other than tanks) will be free from material defects caused during the manufacturing process for a period of 1 year from the Purchase Date unless otherwise expressly stated in writing by Manufacturer that an extended warranty applies.

2. Other Warranties Disclaimed and Excluded

THERE ARE NO WARRANTIES, EXPRESS OR IMPLIED, WHICH EXTEND BEYOND THE LIMITED WARRANTY HEREIN STATED, AND MANUFACTURER EXPLICITLY DISCLAIMS AND EXCLUDES ANY AND ALL OTHER WARRANTIES INCLUDING BUT NOT LIMITED TO WARRANTIES OF MERCHANTABILITY, FITNESS FOR PARTICULAR PURPOSE, CUSTOM OR USAGE OF TRADE, AND COURSE OF DEALING. NO AGENT, EMPLOYEE OR REPRESENTATIVE OF MANUFACTURER HAS AUTHORITY TO BIND MANUFACTURER TO ANY REPRESENTATION OR WARRANTY EXCEPT AS STATED IN THIS LIMITED WARRANTY.

3. Limitation of Liability under the Limited Warranty - In addition to those warranties disclaimed and excluded in clause 2 above, Manufacturer expressly further limits its warranty and liability under the Limited Warranty as set forth below in this clause 3.
- 3.1. The liability of Manufacturer under this Limited Warranty is excluded to the extent that any defect has been caused or contributed to by:
- a) any accident, contamination, tampering, willful damage, abuse, modification, improper storage, improper use (including but without limitation the storage of material) or negligent act of, or omission by, any person other than Manufacturer;
 - b) the improper installation of the Goods, or deterioration of the base on which any of the Goods rest or are mounted to;
 - c) any damage to the Goods caused by storm, wash away, landslide, mudslide, lightning, or any other natural phenomenon, vermin or other pests, and any undermining of the base of the Tank through any cause whatsoever;
 - d) the repositioning of the Goods from their original installation;
 - e) weathering or degradation of the Goods due to extreme climatic conditions;
 - f) improper installation of extra fittings;
 - g) any staining or discoloration, including from trees or ash fall-out from fires or other causes;
 - h) a Tank not being placed on a base that is free of any protruding objects of any kind;
 - i) a Tank being used for any purpose other than the storage of suitable liquids at the ambient temperatures.

3.2. Without limiting the generality of clause 3.1:

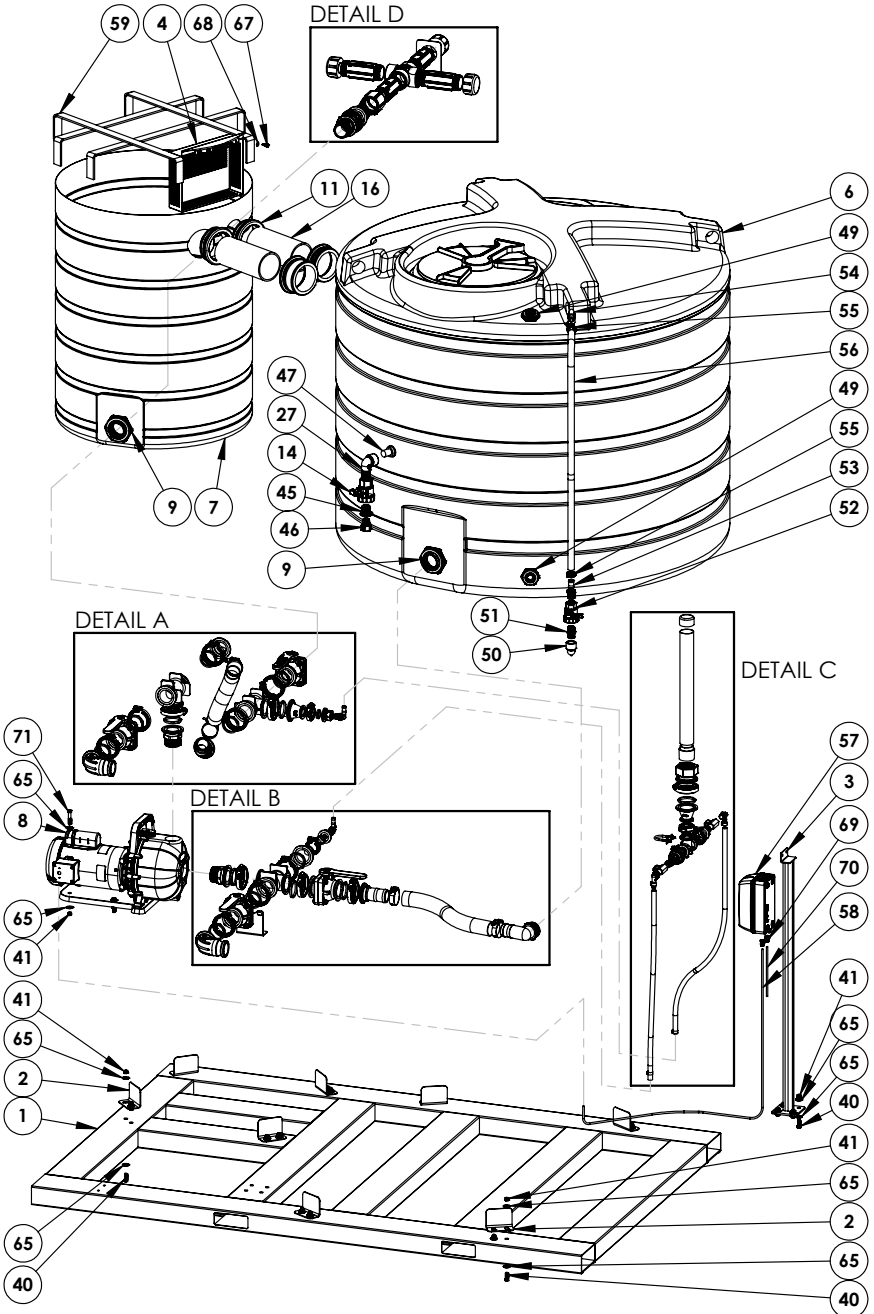
- a) Manufacturer will not be liable for any personal injury, indirect or incidental damages, consequential losses, loss of liquids, loss of profit or any like claims whatsoever arising from any use of, or incidental to, or repairs to any of the Goods by a party other than Manufacturer;
- b) to the extent that any component or material (including, but without limitation the polyethylene) used in the manufacture of any of the Goods is supplied and/or manufactured by a third party, the liability of Manufacturer is limited to Manufacturer's right of redress (if any) against the third-party supplier/manufacturer;
- c) Tanks feature a vented lid at the time of manufacture. Any subsequent pressurization of the Tank by removing the vent, sealing the vent, or otherwise will cause this Limited Warranty as to such Tank to be null and void.
- d) The liability of Manufacturer under this Limited Warranty is limited to, at Manufacturer's discretion:
- e) providing a replacement Good (including shipping but excluding other replacement costs);
- f) refunding an amount equal to a sum equal to the current Retail price divided by the months in the warranty, multiplied by the months remaining in the warranty period;
- g) repairing the Good at no cost.

4. Proof of Purchase - The original invoice or other similar proof of purchase of the applicable must be provided by Purchaser to Manufacturer when making a claim under this Limited Warranty. Warranty claims must be received in writing by Manufacturer within the Limited Warranty period.

5. Claims and Questions - If you have questions about this Limited Warranty or to make a warranty claim, contact Manufacturer at: customercare@enduraplas.com
6. Definitions - For this Limited Warranty the following definitions apply:
 - a) Manufacturer means Enduraplas LLC.
 - b) Purchase Date means the date upon which the applicable goods were purchased by the original end user.
 - c) Purchase Price means the actual price paid for the Tank by the original Purchaser.
 - d) Tank means the storage Tank manufactured by Manufacturer and purchased by the original end user Purchaser being the subject matter of the Limited Warranty.
 - e) Good(s) mean Tanks and/or other products or parts manufactured by Enduraplas LLC.
 - f) Limited Warranty means this written Limited Warranty.
7. State Law - Some states do not allow the exclusion or limitation of incidental or consequential damages, so the above limitation and exclusion may not apply to certain parties. Some states do not allow limitation on how long an implied warranty lasts, so the above limitation may not apply to certain parties. This limited warranty gives specific legal rights and other rights, which vary from state to state, may also apply.
8. Governing Law - This Limited Warranty will be governed by the laws of the State of Minnesota, without giving effect to any choice of law rule that would cause the application of the laws of any other jurisdiction.

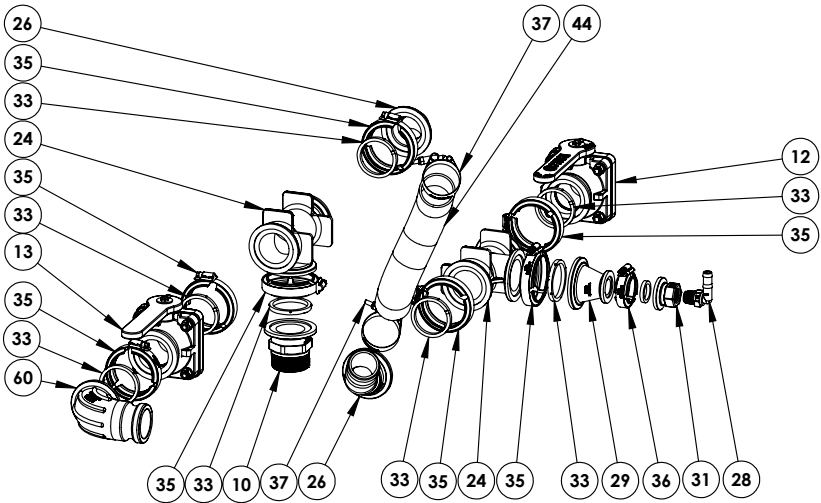
OVERVIEW

BRINE MASTER®

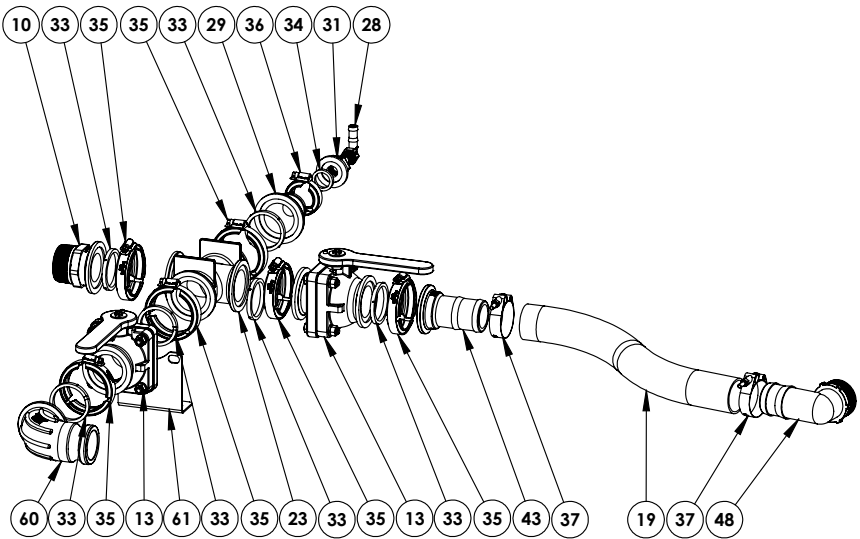


DETAIL VIEW A AND B

DETAIL A

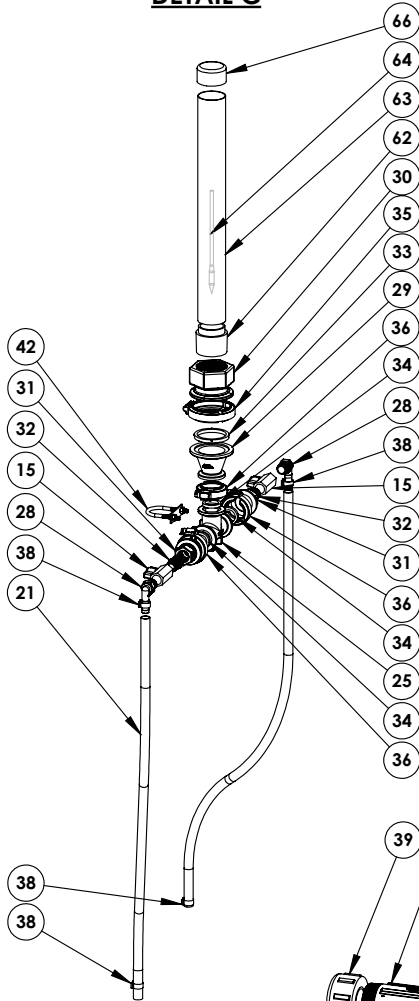


DETAIL B

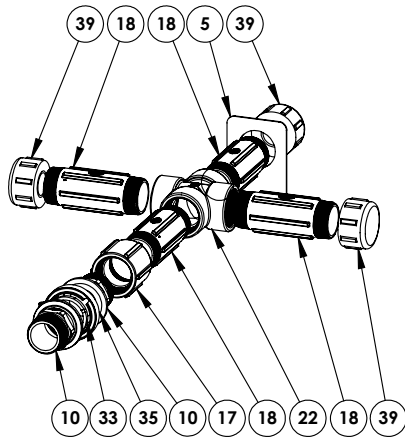


DETAIL VIEW C AND D

DETAIL C



DETAIL D



BRINE MASTER®

PARTS LIST

ITEM NO.	PART #	Description	QTY.
1	AZKI013	Skid for 1600 Gal Brine Master	1
2	CSLC548	Stopper for 1600 Gal Brine Master	8
3	AZKI014	Pole for 1600 Gal Brine Master	1
4	CSLC636	Screen for 1600 Gal. Brine Master	1
5	CSLC635	Bracket for 1600 Gal Brine Master	1
6	IMS00550OR-NF	550 Gal Flat Bottom Storage Tank	1
7	AMBM1600	Brine Master 1600 Hopper	1
8	APAMT002	2-in Poly Pump	1
9	CBTF200	2 Poly Tank Flange Assembly	2
10	CBM220MPT	2 FP Manifold x 2 Male Thread	4
11	CPFTGE5	4-in Rainharvest Multi-life Gaskets	4
12	CBMVSM220FP	2-in FP Manifold Valve Flange x MPT	1
13	CBMVS220CF	2-in Full Port Stubby Manifold Valve	3
14	CVPBV2100	1 Inch FPT Union Valve	1
15	CVS34DX1	1/2 FIP x 1/2 FIP T-Handle Ball Valve	2
16	CFPS40PPVC	4-in PVC Pipe Sch40 - 10 inches	2
17	CBCPLG200	2" Poly Pipe Coupling	1
18	CBNIP200-6	2-in x 6-in Poly Nipple	4
19	CLUPEB10009	2-in hose pump discharge to tank	1
20	CLUESB020002	.5 hose pump discharge to clear tube	1
21	CLUESB020002	.5 hose pump suction to clear tube	1
22	CBCR200	2-in Poly Pipe Cross	1
23	CBM220CR	2-in Full Port Flanged Cross	1
24	CBM220TEE	2 Manifold Tee - 220 Series	2
25	CBM100TEE	1" Manifold Tee	1
26	CBM220BRB45	2 Full Port x 45 HB	2
27	CBSL10090	1 Poly Street Elbow 90	1
28	CBHB05090	1/2 MNPT x 1/2 Hose Shank 90	4
29	CBM220100CPG	2" Full Port Flange x 1" Reducer Flange	3
30	CBM220FPT	2 IN FP Manifold x 2 IN Female Thread	1
31	CBM100050FPT	1 IN Flange x .5 IN Female Thread	4
32	CBNIP050SH	.5 IN Short Poly Nipple	2
33	CBM221G	2" FP Manifold Gasket with Rib	15
34	CBM100G	1" Manifold Gasket	5
35	CBFC220	2 SS Flange Worm Screw Clamp	15
36	CBFC100	1" Worm Screw Flange Clamp	5
37	CBTC231	2" T-Bolt Hose Clamp 2.31 MIN	4
38	CFCC003	Clamp for 1/2" Hose	4
39	CBCAP200	2-in Poly Pipe Cap	3
40	CHBS030523	3-8" x 1" SS Hex Bolt	20

PARTS LIST

ITEM NO.	PART #	Description	QTY.
41	CHNSN0323	3/8" SS Nylock Nut	23
42	CHUS031234001	1-in U-Bolt	1
43	CBM200BRB	2 inch Manifold Barb	1
44	CLUPEB10009	2-in hose pump discharge to tank	1
45	CV3RB10034	Reducer Bushing 1" MPT X 3/4" FPT	1
46	CBGHFT075MPT	.75-in male NPT x .75-in female garden hose	1
47	AXFM01	1-in Jobe Megaflo Valve	1
48	CBHB20090	2" Male Thread x 2" Hose Shank 90	1
49	CBTF075	3/4" Poly Tank Fitting	2
50	CBSL07590	3/4 Poly Street Elbow 90	1
51	CFPN04M04M	3/4 Short Nipple	1
52	CVPBV234	3/4 FPT Union Valve	1
53	CFPS04M04B	3/4 MNPT To 3/4 Hose Shank	1
54	CFPE04M04B	3/4 MNPT x 3/4 Hose Barb 90	1
55	CFCW001	Clamp For 3/4" Hose	2
56	CLUVGC03504	.75-in Clear Vinyl Tubing	1
57	CEC031	Motor Starter	1
58	CEC048	Bulk Wire Cord 3-Wire 30Amps 600V	1
59	AZK1012	Cover for 1600 Gal.3 Brine Master	1
60	CBM220ASWP90	2-in Full port flange x Male adapter sweeoped	2
61	CSLC699	Bracket for Valve	1
62	CBRB200100	2 MPT X 1 FPT REDUCER BUSHING	1
63	CFPE240	2-in Schedule 40 Clear Pipe	1
64	CLSR002	Sodium Chloride Salinity Hydrometer	1
65	CHWSF033	3/8 SS Flat washer	46
66	CFPE240	2-in Schedule 40 Clear Pipe	1
67	CHAS010223	.25 x .75 SS HWH Slotted Screw	4
68	CHWSF013	1/4" SS Flat Washer	4
69	CEC050	.75in Nylon Cord Grip	2
70	CEC051	12 awg 3-conductor	1
71	CHBS030923	.375 x 2 Stainless Steel bolt	3

BRINE MASTER®

ACTIVATE YOUR 10-YEAR TANK WARRANTY

How to Activate

To double your 5-year tank warranty,
visit www.camionsystems.com/warranty/
and register this product.



Watch Instruction Videos:
www.youtube.com

Discover More Helpful Tips:
www.iceControlTraining.com



CAMION[®]

by Enduraplas

1 (877) 265-9929

cs@camionsystems.com

www.camionsystems.com

113 1st Street, Neche

ND 58265, USA



Enduraplas[®]

A Brand By Enduraplas

Discover More Helpful Tips:

www.IceControlTraining.com