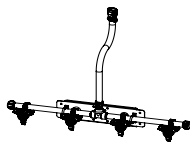
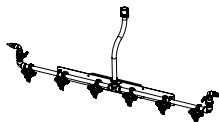


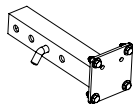
## **SMALL BOOM**



## **MEDIUM BOOM**



## **RECEIVER HITCH**

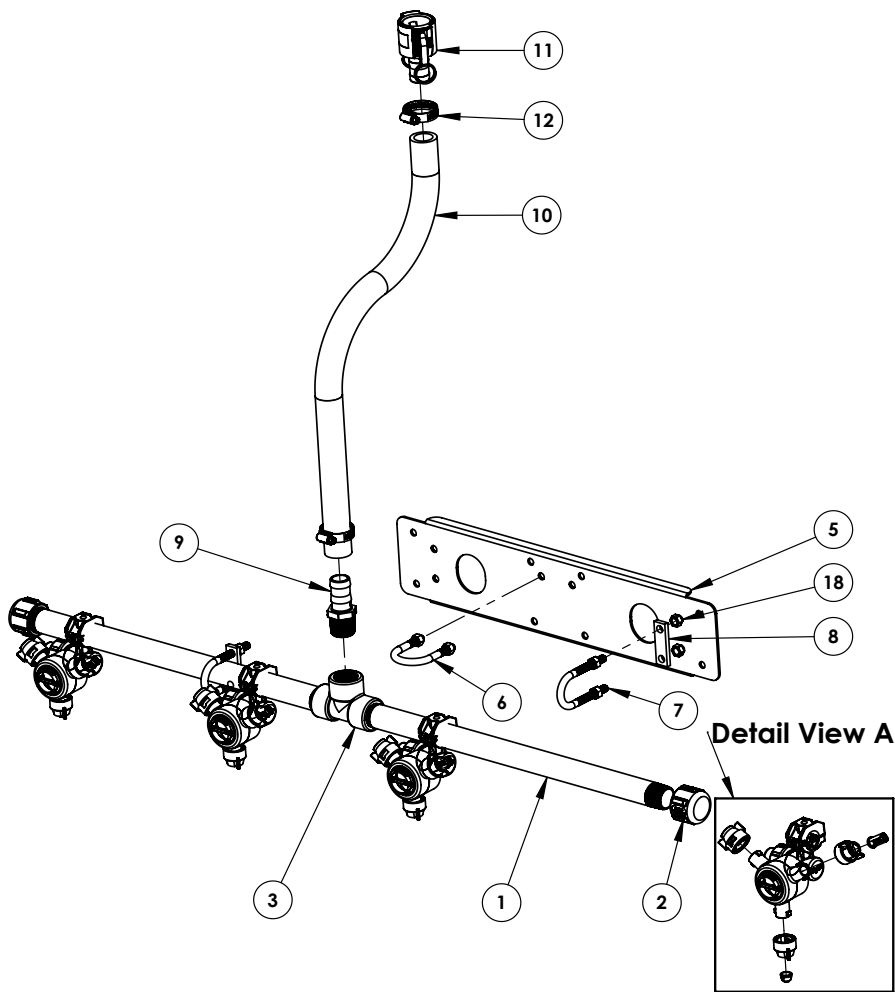


## **PARTS BREAKDOWN**

**Product Codes:**  
IMSB4, IMSB6, IMSBRI

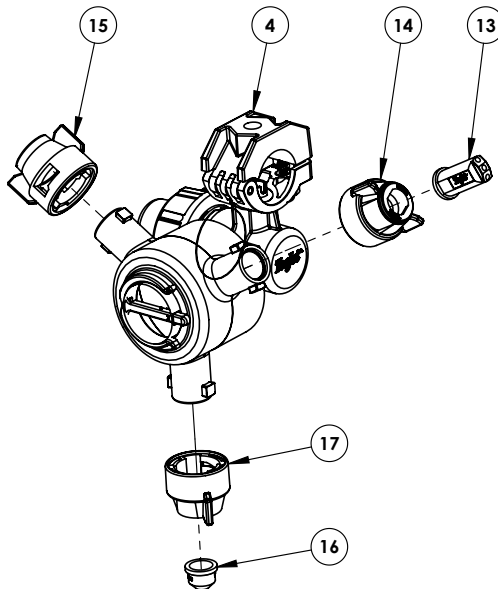
# OVERVIEW

SMALL BOOM



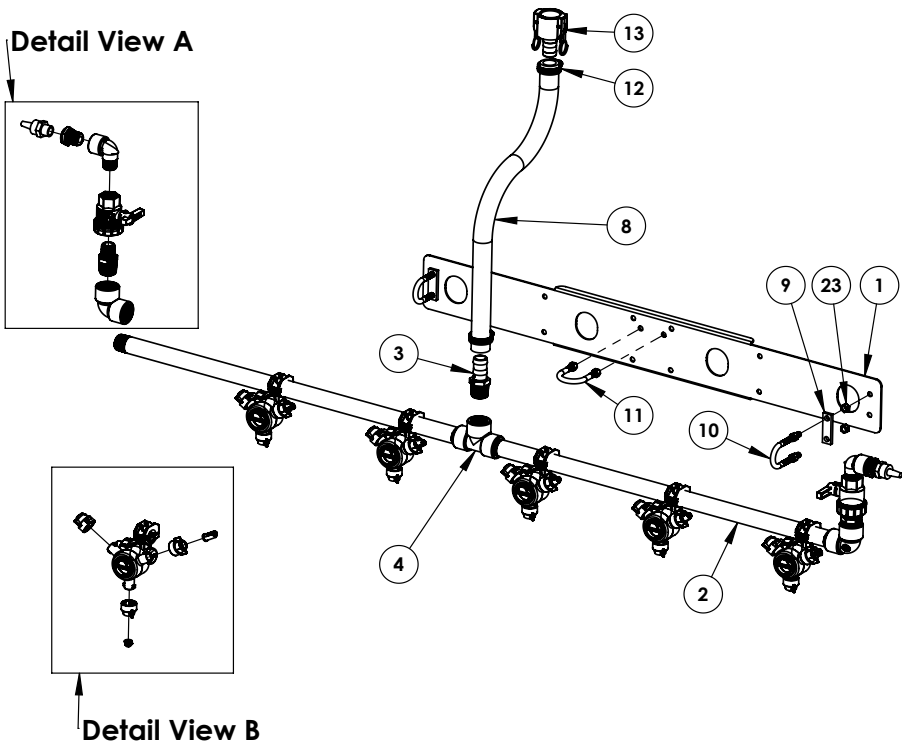
# PARTS LIST

ITEM NO.	PART #	Description	QTY.
1	AZFPM008	1 inch poly boom pipe 21 IN	2
2	CBCAP100	1 POLY PIPE CAP	2
3	CBTEE100	1 inch pipe tee	1
4	CNST001	1 IN 3 Way Nozzle Holder QJ383	4
5	AZFPM005	4 ft Deicing Boom Plate Bracket	1
6	CHUS031234002	1.75 SS U-Bolt	1
7	CHUS031234001	1.375 SS U-bolt	2
8	AZFPM007	.25 Stainless Boom Spacer	2
9	CFPS05M05B	1 Inch hose barb	1
10	CLUESB020005	1 IN EPDM Boom Hose 4'	1
11	CB100C	Female Coupling x 1 Hose Shank	1
12	CFCW003	Clamp for 1 inch hose	2
13	CNST002	3 Stream White Nozzle	4
14	CNST004	25598 REP. CAP CE White & Washer	4
15	CNST009	Teejet Tip/CAP XR 1.5 GPM	4
16	CNST007	Teejet Tip, ST. STL single stream	4
17	CNST006	25608 REP. CAP CE Black & Washer	4
18	CHNZN0325	3/8 Stainless Nylock nut	6

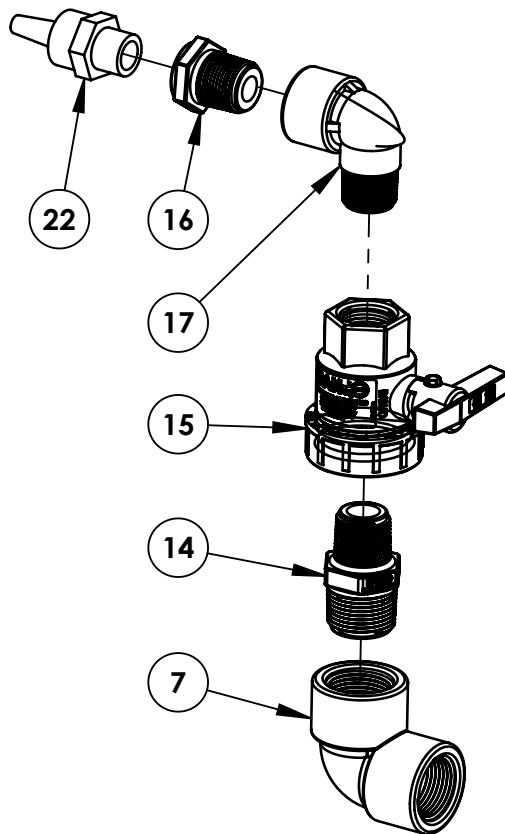


# OVERVIEW

MEDIUM BOOM



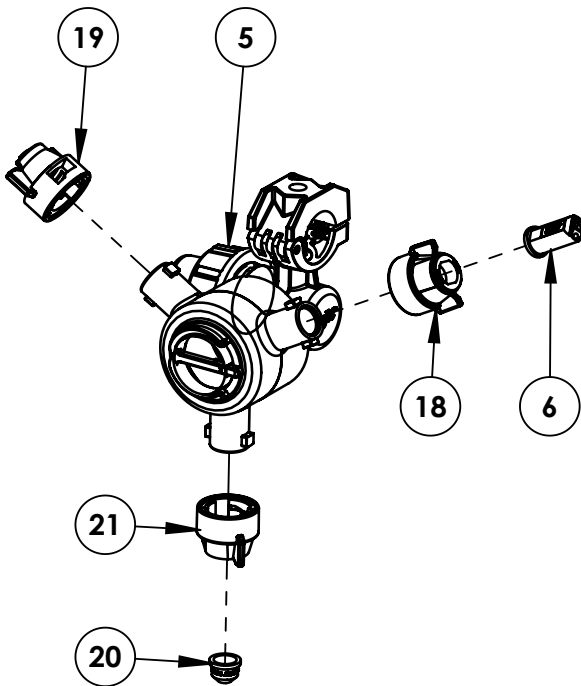
# DETAIL VIEW A



MEDIUM BOOM

# **DETAIL VIEW B**

MEDIUM BOOM



**PARTS LIST**

ITEM NO.	PART #	Description	QTY.
1	AZFPM006	6 ft Deicing Boom Plate Bracket	1
2	AZFPM009	1 IN Poly Pipe for Deicing boom 32 IN	2
3	CFPS05M05B	1 Inch hose barb	1
4	CBTEE100	1 inch pipe tee	1
5	CNST001	1 IN 3 Way Nozzle Holder QJ383	6
6	CNST002	3 Stream White Nozzle	6
7	CBEL10090	1 Poly Pipe Elbow 90	2
8	CLUESB020005	1 IN EPDM Boom Hose 4'	1
9	AZFPM007	.25 Stainless Boom Spacer	2
10	CHUS031234001	1.375 SS U-bolt	2
11	CHUS031234002	1.75 SS U-Bolt	1
12	CFCW003	Clamp for 1 inch hose	2
13	CB100C	Female Coupling x 1 Hose Shank	1
14	CBRN100-075	1 x 3/4 Poly Reducer Nipple	2
15	CVPBV234	3/4 FPT Union Valve	2
16	CV3RB3412	.75 x .5 reducer bushing poly	2
17	CBSL07590	3/4 Poly Street Elbow 90	2
18	CNST004	25598 REP. CAP CE White & Washer	6
19	CNST009	Teejet Tip/CAP XR 1.5 GPM	6
20	CNST007	Teejet Tip, ST. STL single stream	6
21	CNST006	25608 REP. CAP CE Black & Washer	6
22	CNBC005	Hypro Boomless Nozzle 8 GPM	2
23	CHNZN0325	3/8 Stainless Nylock nut	6

**RECEIVER HITCH**

ITEM NO.	QTY.	PART #	Description
1	1	AZFRH003FO	2 in Receiver Deicing Boom Bracket
2	1	CV722HP	5/8 x 3 Bent Hitch Pin
3	4	CHBS030523	3-8 x 1 SS Hex Bolt
4	8	CHWSF033	3/8 SS flat washer
5	4	CHNZN0325	3/8 Stainless Nylock nut

