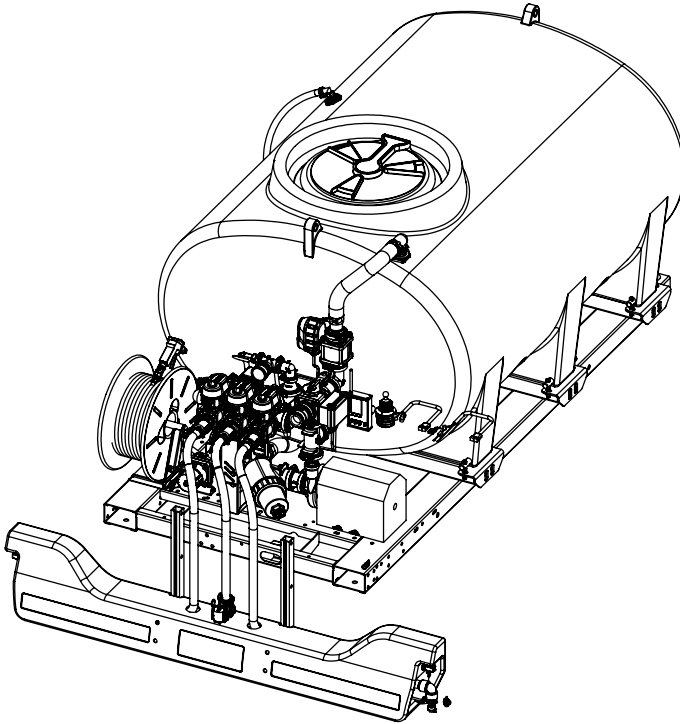


ICE MASTER® T-SERIES

OWNER'S MANUAL



Product Codes:


IMT250	IMT300	IMT500	IMT800	IMT1000
IMT250E	IMT300E	IMT500E	IMT800E	IMT1000E
IMT250ESC	IMT300ESC	IMT500ESC	IMT800ESC	IMT1000ESC
IMT250G	IMT300G	IMT500G	IMT800G	IMT1000G
IMT250GSC	IMT300GSC	IMT500GSC	IMT800GSC	IMT1000GSC
IMT1200, IMT1600, IMT1900, IMT2500, IMT3000				

Version 1.6

Copyright © Enduraplas. All Rights Reserved.



CONTENTS

INTRODUCTION	3
<hr/>	
WARNINGS 	4 & 5
<hr/>	
GETTING STARTED	6 - 17
<hr/>	
CALIBRATING	18 & 19
<hr/>	
MAINTAINING	20 & 21
<hr/>	
TROUBLESHOOTING	22 & 23
<hr/>	
WARRANTY	24 - 27
<hr/>	
PARTS BREAKDOWNS - ICE MASTER® T-SERIES	28 - 72

INTRODUCTION

Congratulations! You now own a Camion™ sprayer. Durable design and construction assure you a lifetime of extreme performance. No sprayer is tougher. No sprayer will last longer.

Take a look through this owner's manual to learn how the pros use their Camion™ sprayer.



Watch Instruction Videos:

www.youtube.com

Discover More Helpful Tips:

www.IceControlTraining.com

WARNINGS

1. Do not exceed vehicle manufacturers loading, towing or lifting specifications and regulations.
2. Ensure tank is firmly secured in an appropriate manner.
3. Use caution at all times, particularly when driving on rough terrain.
4. Comply with chemical manufacturers safety requirements and all relevant legislations.
5. **ALWAYS** keep tank tightly covered, to prevent children or animals from entering tank.
6. Tank is not fire resistant. **NEVER** expose it to open flame or heat.
7. Keep sharp objects from tank. Tank could be punctured and contents could escape and cause injury to persons or property.
8. This tank can be used only with polyethylene compatible liquids. If you are uncertain, ask chemical supplier if material can safely be stored in a polyethylene tank. **USE OF TANK WITH ANY OTHER MATERIAL COULD CAUSE TANK TO FAIL, RESULTING IN INJURY OR PROPERTY DAMAGE.**
9. **DO NOT MIX CHEMICALS. THIS CAN RESULT IN DAMAGE TO THE TANK OR NEARBY PERSONS OR PROPERTY.**
10. Clean out tank before changing chemicals **OTHERWISE A DANGEROUS MIXTURE OF CHEMICALS COULD CAUSE DAMAGE TO PERSONS, TANK OR PROPERTY.**
11. Regular service and maintenance is the Owner's responsibility and is a condition of your warranty.
12. **FAILURE TO COMPLY WITH ALL WARNINGS AND INSTALLATION INSTRUCTIONS WILL VOID WARRANTY.**

13. No modifications and/or alterations may be made to this sprayer. Any such modifications not only void the sprayer warranty but can make the unit dangerous to anyone operating the pump.
14. Always inspect hoses and piping to avoid burst injuries.
15. DO NOT turn suction valve off while pump is running.
NEVER RUN PUMP DRY.

COMPATIBLE LIQUIDS

Calcium Chloride Brine, Salt Brine and Premium Branded Liquids.

⚠ Caution: Brine that contain tacky substances or solid particles may clog pumps and nozzles. These are not recommended.

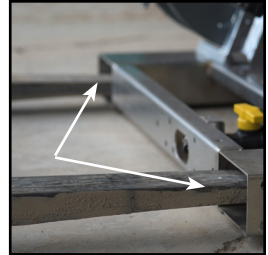
⚠ Warning: DO NOT USE any products that contain petroleum or petroleum by-products of any kind. These destroy seals and will void warranty.

Discover More Helpful Tips:
www.IceControlTraining.com

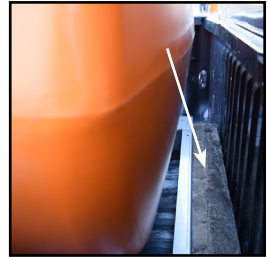
GETTING STARTED

Setting Up Your Sprayer

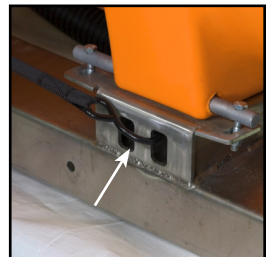
1) The two openings at the front of the frame allow you to move the unit using fork points.



2) When loading your sprayer, we recommend you place blocking between your sprayer and the front of the bed of your truck.

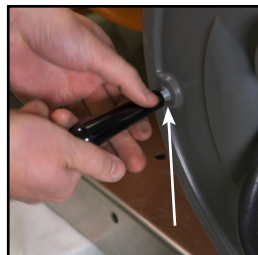


3) On the Ice Master® T-Series, there are tie-down points on the side of the frame that allow you to strap the unit down.



GETTING STARTED**Setting Up Your Sprayer**

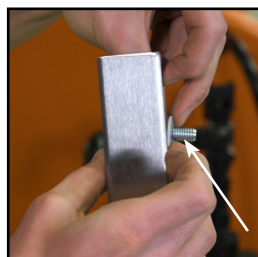
4) If you ordered the hose reel option, screw the hose reel handle into place.



5) If you purchased a receiver hitch mount option with your unit, insert the four bolts through the receiver hitch, then through the boom plate. Install and tighten lock nuts inside boom.



6) If you are using the boom brackets to mount the boom to the applicator, insert the bolts through the bracket and place plastic washers over bolts to hold them in place.



7) Connect the brackets and the stabilizer bar to the frame and loosely secure them to allow for easier installation of your boom to the quick attach brackets.



GETTING STARTED

Setting Up Your Sprayer

8) To install your boom to the brackets, loosen the carriage bolts on the boom (leaving nuts and washers on bolts). Align carriage bolts with quick attach brackets and slide them into the bracket slots, then lower the boom down to desired height.



9) Tighten the hardware, making sure the square neck on the carriage bolt is fully inserted through the slot.



10) Once the boom is secure, tighten the hardware on the boom brackets to make sure they are also secure.



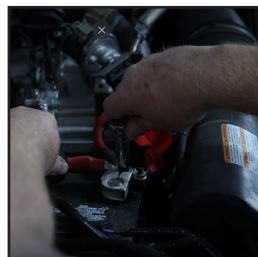
11) Take the three hoses from the boom and connect them to the control valves using the camlock system.



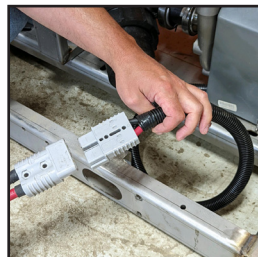
GETTING STARTED

Setting Up Your Sprayer

12) If you purchased a unit with our high flow electric Ecomax® pump option, you will need to hook up the ring terminals on the wire harness to your battery and route the wire harness back to the electric motor.



13) Plug in the gray connector from wire harness to the matching gray connector on wire harness coming off motor.



GETTING STARTED

Setting Up Your Sprayer

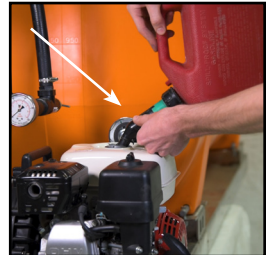
14) Then route the in cab power switch cable into your vehicle cab and connect it to the on/off switch.



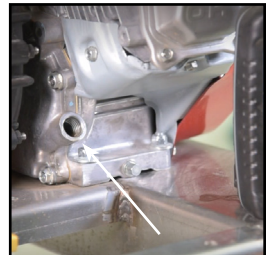
15) If you purchased a hydraulic unit, hook up your desired hydraulic hoses to the side ports on the hydraulic pump. This pump requires 13 GPM oil flow.



16) If you have a gas powered unit, fill the fuel tank on the engine with regular gasoline.



17) If you have a gas powered unit you will also need to remove the oil cap and fill the engine with 0.61 US quarts of 10W-30 engine oil.



GETTING STARTED

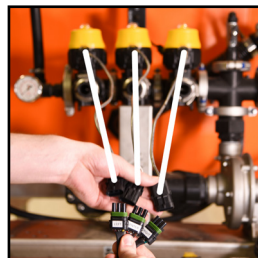
Setting Up Your Sprayer

18) If you have a gas powered unit, you will need to install a battery into the provided battery box and connect your positive and negative cables to the correct terminals.



Hooking Up Standard Controls

1) If your applicator does not have a GPS flow control option, you will need to connect the standard control wire harness to the 3 electric valves that will control your left, center, and right boom sections.



2) If you ordered a work light with your unit, plug it into the wire harness. If you did not order a light, then disregard the light plug.



3) Then, connect the in cab control box to the 12V power outlet in your cab.



GETTING STARTED

Hooking Up GPS Flow Control

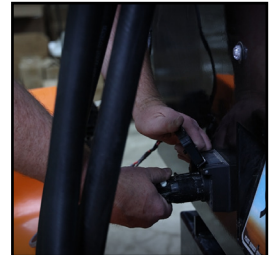
4) Connect the cup holder mount to the Storm Commander® controller.



5) Install the Storm Commander® controller in your cab and connect it to the 12V plug.



6) Route the power cable (to prevent any pinching or damage) from the Storm Commander® wireless receiver box (mounted on the back of applicator) into the seven pin RV plug on your vehicle.

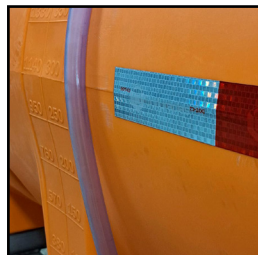


7) Then refer to the Storm Commander® wireless controller “Getting Started” instructions.

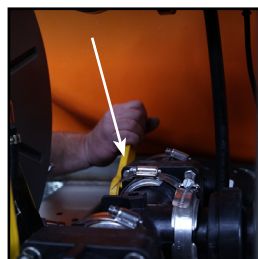
GETTING STARTED

Operating Your Sprayer

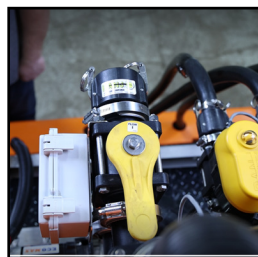
1) You will need to prime the pump before using it. Start by filling the tank at least a quarter full of water.



2) Then open the suction valve between the tank and the pump.



3) Place the 3-way valve in recirculation position to allow liquid to recirculate back to the tank. If your applicator is GPS flow controlled, you will need to manually open the electric flow control valve using your Storm Commander® controller (refer to your Storm Commander® “Operating” instructions).

**Important Tip:**

If you have the unit with the hydraulic pump, it will prime automatically.

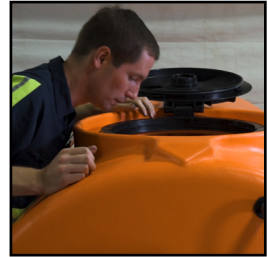
GETTING STARTED

Operating Your Sprayer

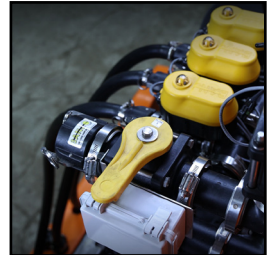
4) If your applicator has the gas engine driven pump, open the top cap of the pump, and fill the pump with water. Before starting the engine make sure both the drain plug and prime plug are tightened securely to properly hold the sealing O-rings in place.



5) If your applicator has the gas engine driven pump, start the engine, and increase the RPM's, and check that water is recirculating back to the tank. Your pump should now be primed.

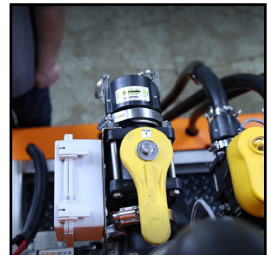


6) If your applicator has the high flow electric Ecomax® pump, power it on and close the 3-way valve on top of your pump for approximately 20 secs to build pressure. Then slowly re-open the valve and the pump should prime. If it does not prime, check that your tank is at least 1/4 full and repeat this step.



7) Once the pump is primed, make sure your 3-way valve is in the correct operating position.

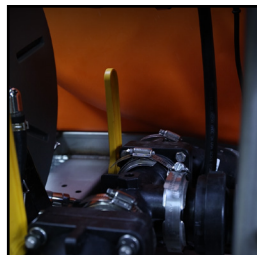
- a. GPS flow controlled - recirc. position.
- b. Non-GPS - closed position.



GETTING STARTED

Operating Your Sprayer

8) To fill the applicator, close the suction valve between the tank and the pump.



9) Make sure the 3-way valve on top of pump is in recirculation position, then connect storage source hose to your applicator and open the external fill valve.

**Important Tip:**

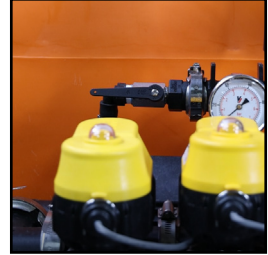
When filling from an external source with an electric pump, make sure the liquid level in your storage reservoir is level to (or higher than) your pump.

10) If your applicator has the Storm Commander® GPS flow control option, you will need to manually open the electric flow control valve from your in-cab controller. (Ref. the Storm Commander® “Getting Started” instructions.)

GETTING STARTED

Operating Your Sprayer

11) To use the spray gun, ensure the 3-way valve on top of pump is in closed position and hose reel shutoff valve is in the open position.



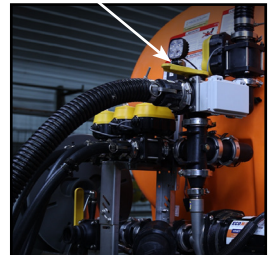
Important Tip:

If you are using your hand wand for extended periods of time, it is best to leave the 3-way valve, on top of pump, slightly open to allow liquid to recirculate through the pump even when the hand gun is not in use.

12) To drain your tank using the pump on the applicator, hook up hose from storage to the discharge port on the top of your pump and open the suction valve.



13) Power applicator pump on and move the 3-way valve on top of pump in the discharge position.



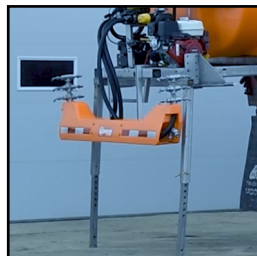
GETTING STARTED

Operating Your Sprayer

14) If you ordered a storage stand, you can attach the legs with the supplied pins.



15) If you purchased the self-loading leg stand, adjust legs to desired height.



CALIBRATING

Note: Always double check your application rates.
 The rate/acre listed is only based off the center section
 (not the two side nozzles)

NOZZLE COLOR	PSI	CAPACITY ONE NOZZLE IN GPM				4 MPH	6 MPH	8 MPH	10 MPH
		0.75	1.06	1.30	1.50				
Stainless Steel	10	0.75	1.06	1.30	1.50	74	49	37	29
	20	1.06	1.30	1.50	1.73	105	70	52	42
	30	1.30	1.50	1.73	2.00	129	86	64	51
	40	1.50	1.73	2.00	2.22	148	99	74	59
Black	15	1.22	1.41	1.73	2.00	90	60	45	36
	20	1.41	1.73	2.00	2.22	105	70	52	42
	30	1.73	2.00	2.22	2.44	128	86	64	51
	40	2.00	2.22	2.44	2.66	148	99	74	59

GPM = Gallons Per Minute

GPA = Gallons Per Acre

GAL/1000 FT = Gallons Per 1000 Square Feet

W = Nozzle spacing

Gallons Per Minute Formula:

$$\frac{\text{GPA} \times \text{MPH} \times \text{W (per nozzle)}}{5,940}$$

Gallons Per Minute Formula:

$$\frac{\text{GAL}/1000\text{FT} \times \text{MPH} \times \text{W (per nozzle)}}{136}$$

Gallons Per Acre Formula:

$$\frac{5,940 \times \text{GPM (per nozzle)}}{\text{MPH} \times \text{W}}$$

Gallons Per 1000 Square Feet:

$$\frac{136 \times \text{GPM (per nozzle)}}{\text{MPH} \times \text{W}}$$

Convert Acres to Lane Mile:

$$1.4545 = 1 \text{ Lane Mile}$$

Note: For video instructions on how to calibrate a boom visit
<http://bit.ly/IMS-boom-calibration>

MAINTAINING

Keeping your sprayer in good condition will help you lengthen the life of the sprayer. Everyone knows a well maintained piece of equipment ensures a longer life span. Sprayer maintenance can seem a huge task if you don't have the right tools.



Watch Instruction Videos:

www.youtube.com

Discover More Helpful Tips:

www.IceControlTraining.com

<p>The information applies in normal operating conditions. The specific intervals must be shortened accordingly for longer daily working hours. If the machine is only used occasionally, the intervals can be extended accordingly.</p>	Before starting work	X												
	At the end of work and/or daily		X	X	X	X								
	Weekly or every 40 operating hours													
	After the first 5 operating hours													
	Every 250 operating hours or once a year													
	If damaged									X			X	
	If required							X	X			X		
	Visual inspection (condition, leaks)													
	Complete machine													
		Clean												
Tank, hoses and fittings														
	Clean													
	Drain													
In-line filter														
	Clean													
Spray lance nozzle														
	Clean													
	Replace													
All accessible screws and nuts														
	Tighten													
Safety labels														
	Replace													
Pump														
	Maintain													
Read and follow all maintenance and care instructions in the Pump manual.														

TROUBLESHOOTING

CONDITION	CAUSE	REMEDY
Pump will not prime	1) Air leak on suction plumbing 2) Blocked/Restricted intake hose 3) Filter cap disengaged 3) Filter gasket damaged/missing	1) Tighten/replace fittings & hose clamps. Verify suction hoses are in good condition 2) Remove blockage from suction line, ensure line is not kinked 3) Lock filter cap into position 4) Replace filter gasket
Pressure drops/ fluctuates during standard operation	1) Restriction on suction line 2) Pump sucking air 3) Plugged filter 4) Damaged regulator	1) Inspect tank and suction lines and remove restriction 2) Tighten fittings 3) Remove and clean filter mesh and housing 4) Remove regulator stem and inspect for broken parts/pieces

CONDITION	CAUSE	REMEDY
Pressure gauge not registering	1) Plugged with debris	1) Un-thread, check and clean pressure gauge
Hand gun loses pressure	1) Debris in hose or nozzle 2) Pump losing prime 3) Pump pressure dropping/fluctuating	1) Un-thread nozzle tip and clean 2) See Remedy for 'Pump will not prime or loses prime' 3) See Remedy for 'Pressure drops/ fluctuates during standard operation'



Watch Instruction Videos:

www.youtube.com

Discover More Helpful Tips:

www.IceControlTraining.com

WARRANTY

1. Poly Tank Limited Warranty - Subject to other terms in this Limited Warranty, Manufacturer warrants to the original end user that this Tank will be free from material defects caused during the manufacturing process for a period of 5 years from the Purchase Date provided such warranty to the original end user shall be extended to 10 years from the Purchase Date if the original end user registers the Tank with Manufacturer within 30 days of the Purchase Date. To register the Limited Warranty, registration must be completed in accordance with the requirements set forth at enduraplaswarranty.com

Other Products and Parts Limited Warranty - Subject to other terms in this Limited Warranty, Manufacturer warrants to the original end user that products and parts manufactured by Manufacturer (other than tanks) will be free from material defects caused during the manufacturing process for a period of 1 year from the Purchase Date unless otherwise expressly stated in writing by Manufacturer that an extended warranty applies.

2. Other Warranties Disclaimed and Excluded

THERE ARE NO WARRANTIES, EXPRESS OR IMPLIED, WHICH EXTEND BEYOND THE LIMITED WARRANTY HEREIN STATED, AND MANUFACTURER EXPLICITLY DISCLAIMS AND EXCLUDES ANY AND ALL OTHER WARRANTIES INCLUDING BUT NOT LIMITED TO WARRANTIES OF MERCHANTABILITY, FITNESS FOR PARTICULAR PURPOSE, CUSTOM OR USAGE OF TRADE, AND COURSE OF DEALING. NO AGENT, EMPLOYEE OR REPRESENTATIVE OF MANUFACTURER HAS AUTHORITY TO BIND MANUFACTURER TO ANY REPRESENTATION OR WARRANTY EXCEPT AS STATED IN THIS LIMITED WARRANTY.

3. Limitation of Liability under the Limited Warranty - In addition to those warranties disclaimed and excluded in clause 2 above, Manufacturer expressly further limits its warranty and liability under the Limited Warranty as set forth below in this clause 3.
- 3.1. The liability of Manufacturer under this Limited Warranty is excluded to the extent that any defect has been caused or contributed to by:
- a) any accident, contamination, tampering, willful damage, abuse, modification, improper storage, improper use (including but without limitation the storage of material) or negligent act of, or omission by, any person other than Manufacturer;
 - b) the improper installation of the Goods, or deterioration of the base on which any of the Goods rest or are mounted to;
 - c) any damage to the Goods caused by storm, wash away, landslide, mudslide, lightning, or any other natural phenomenon, vermin or other pests, and any undermining of the base of the Tank through any cause whatsoever;
 - d) the repositioning of the Goods from their original installation;
 - e) weathering or degradation of the Goods due to extreme climatic conditions;
 - f) improper installation of extra fittings;
 - g) any staining or discoloration, including from trees or ash fall-out from fires or other causes;
 - h) a Tank not being placed on a base that is free of any protruding objects of any kind;
 - i) a Tank being used for any purpose other than the storage of suitable liquids at the ambient temperatures.

3.2. Without limiting the generality of clause 3.1:

- a) Manufacturer will not be liable for any personal injury, indirect or incidental damages, consequential losses, loss of liquids, loss of profit or any like claims whatsoever arising from any use of, or incidental to, or repairs to any of the Goods by a party other than Manufacturer;
- b) to the extent that any component or material (including, but without limitation the polyethylene) used in the manufacture of any of the Goods is supplied and/or manufactured by a third party, the liability of Manufacturer is limited to Manufacturer's right of redress (if any) against the third-party supplier/manufacturer;
- c) Tanks feature a vented lid at the time of manufacture. Any subsequent pressurization of the Tank by removing the vent, sealing the vent, or otherwise will cause this Limited Warranty as to such Tank to be null and void.
- d) The liability of Manufacturer under this Limited Warranty is limited to, at Manufacturer's discretion:
- e) providing a replacement Good (including shipping but excluding other replacement costs);
- f) refunding an amount equal to a sum equal to the current Retail price divided by the months in the warranty, multiplied by the months remaining in the warranty period;
- g) repairing the Good at no cost.

4. Proof of Purchase - The original invoice or other similar proof of purchase of the applicable must be provided by Purchaser to Manufacturer when making a claim under this Limited Warranty. Warranty claims must be received in writing by Manufacturer within the Limited Warranty period.

5. Claims and Questions - If you have questions about this Limited Warranty or to make a warranty claim, contact Manufacturer at: customercare@enduraplas.com
6. Definitions - For this Limited Warranty the following definitions apply:
 - a) Manufacturer means Enduraplas LLC.
 - b) Purchase Date means the date upon which the applicable goods were purchased by the original end user.
 - c) Purchase Price means the actual price paid for the Tank by the original Purchaser.
 - d) Tank means the storage Tank manufactured by Manufacturer and purchased by the original end user Purchaser being the subject matter of the Limited Warranty.
 - e) Good(s) mean Tanks and/or other products or parts manufactured by Enduraplas LLC.
 - f) Limited Warranty means this written Limited Warranty.
7. State Law - Some states do not allow the exclusion or limitation of incidental or consequential damages, so the above limitation and exclusion may not apply to certain parties. Some states do not allow limitation on how long an implied warranty lasts, so the above limitation may not apply to certain parties. This limited warranty gives specific legal rights and other rights, which vary from state to state, may also apply.
8. Governing Law - This Limited Warranty will be governed by the laws of the State of Minnesota, without giving effect to any choice of law rule that would cause the application of the laws of any other jurisdiction.

PARTS BREAKDOWN CONTENTS

T-SERIES OVERVIEW 29 - 30

ECOMAX® NON-GPS 31 - 36

ECOMAX® GPS 37 - 42

GAS NON-GPS 43 - 48

GAS GPS 49 - 54

HYDRAULIC GPS 55 - 60

HYDRAULIC NON-GPS 61 - 66

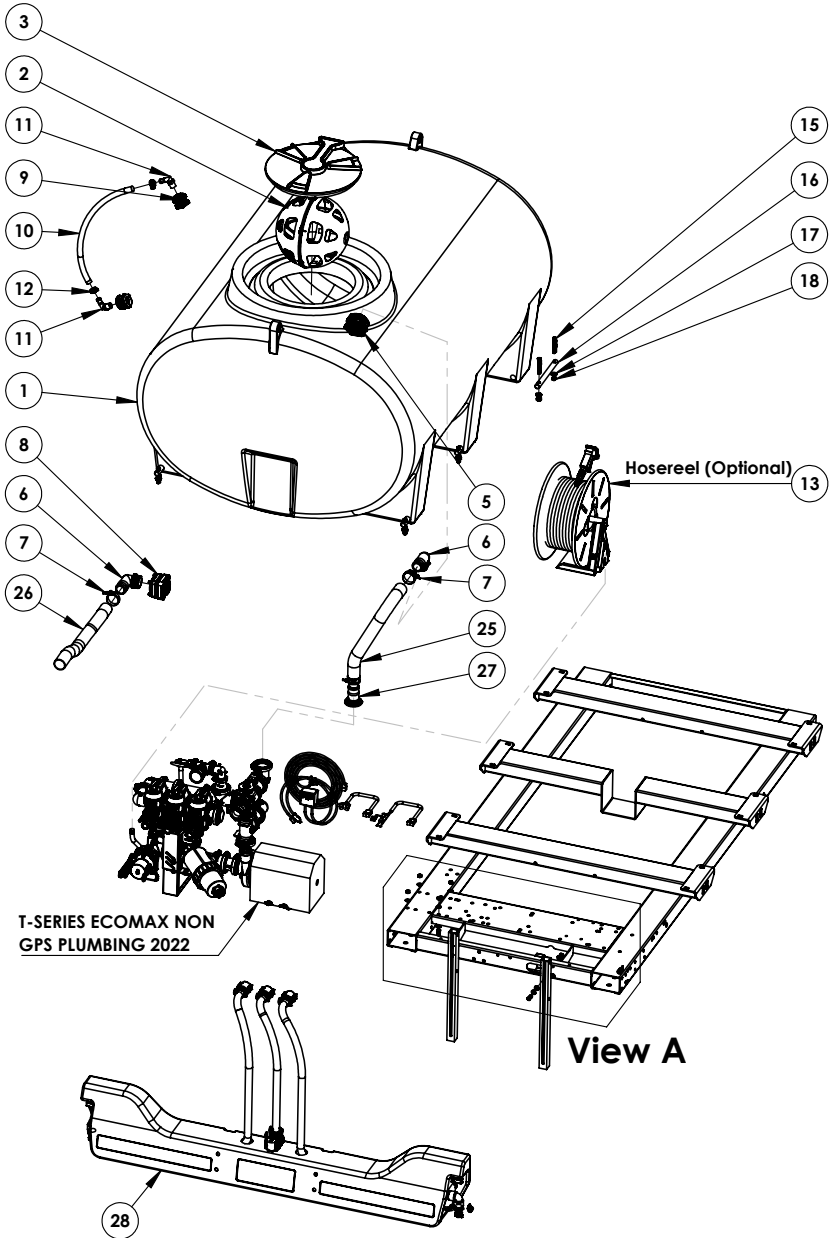
T-SERIES BOOM 67 - 69

DEICING HOSE REEL 70

LEGSTANDS 71 - 72

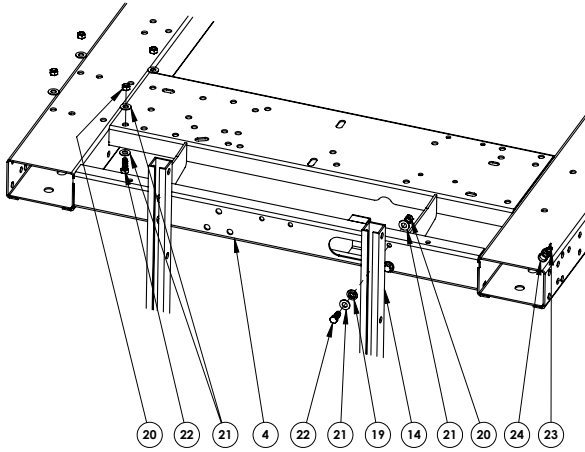
ICE MASTER® T-SERIES

OVERVIEW



ICE MASTER® T-SERIES

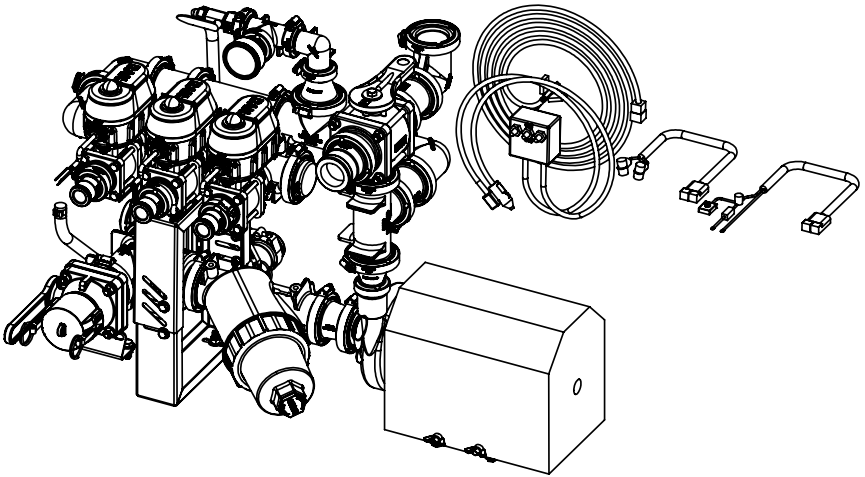
OVERVIEW DETAIL



ITEM NO.	Part #	DESCRIPTION	QTY.
1	THD00500OE-NF	500 Gal Sump Bot Tank	1
2	AVB355	STBBS35 Lg Baffle Ball	46
3	CFLP16HV	16 inch Hypro Lid Hinged	1
4	AZFPM0500SS	500 Gallon Pro Master™ Frame - 304 Stainless Steel	1
5	CBTF200	2 Poly Tank Flange Assembly	1
6	CBHB20090	2" Male Thread x 2" Hose Shank 90	2
7	CBTC231	2" T-Bolt Hose Clamp 2.31 MIN	3
8	CBBF235	2" Bolted Tank Flange	1
9	CBTF075	3/4-in Poly Tank Fitting	2
10	CLUVGC03504	.75 Site Gauge Hose	1
11	CFPE04M04B	3/4 MNPT x 3/4 Hose Barb 90	2
12	CFCW001	Clamp For 3/4" Hose	2
13	CPA0100	Ice Master Base Mount Hose Reel	1
14	AZKB0005SS	23.75" Stainless Steel Adj. Boom Bracket	2
15	CHBS041323	7/16 x 3 Stainless Steel Bolt	12
16	AZP03SS	15-16 x 10" SS tie down pin	6
17	CHWZF045	7/16 flat washer	12
18	CHNS0423	7/16 Nylock Nut	12
19	CHWNR03	Self retaining washer for 3/8 and M9	4
20	CHNSN0323	3/8" SS Nylock Nut	8
21	CHWSF033	3/8" SS Flat Washer	16
22	CHBS030523	3-8" x 1" SS Hex Bolt	8
23	CXT0001	Cable Tie 14"	1
24	CXSC0002	Cable Tie 8"	1
25	CLUPEB10009	2" hose (tank return)	1
26	CLUPEB10009	2" hose (tank to pump)	1
27	CBM220BRB	2 Full Port Flange x 2 Hose Barb	1
28	IMSB12	Poly IMS Boom 12 Nozzle	1

ICE MASTER® T-SERIES

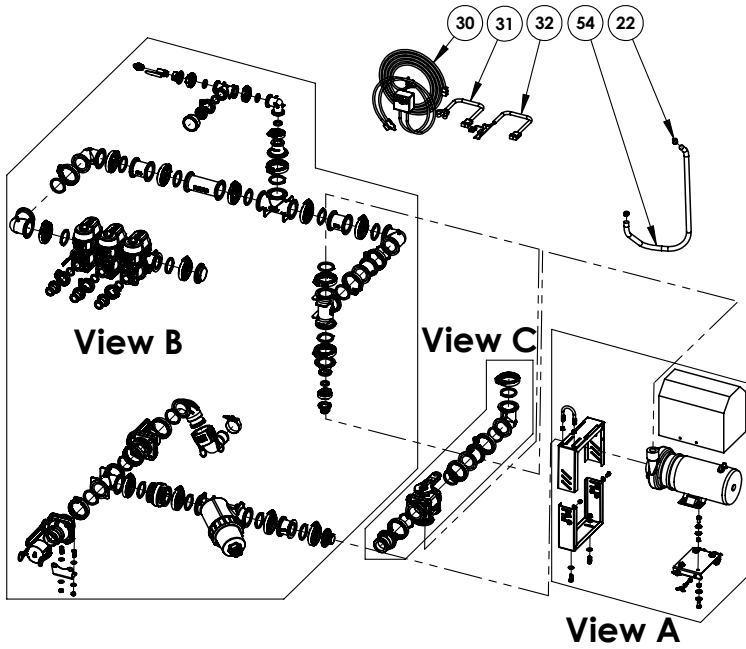
ECOMAX NON GPS



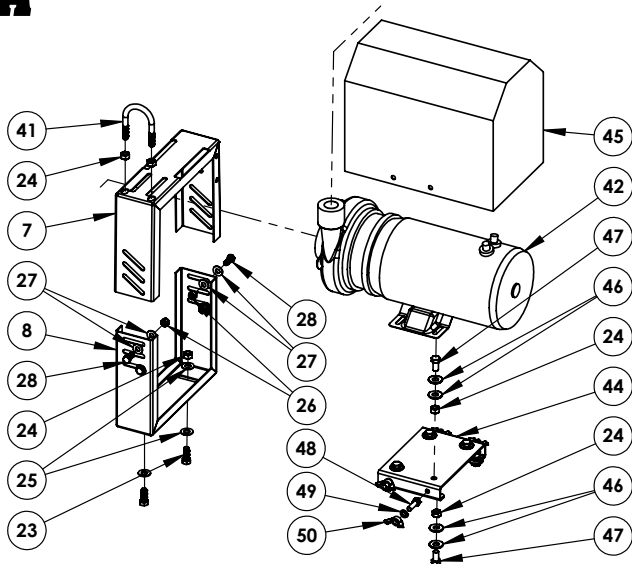
ICE MASTER® T-SERIES

T-SERIES ECOMAX NON GPS PLUMBING 2022

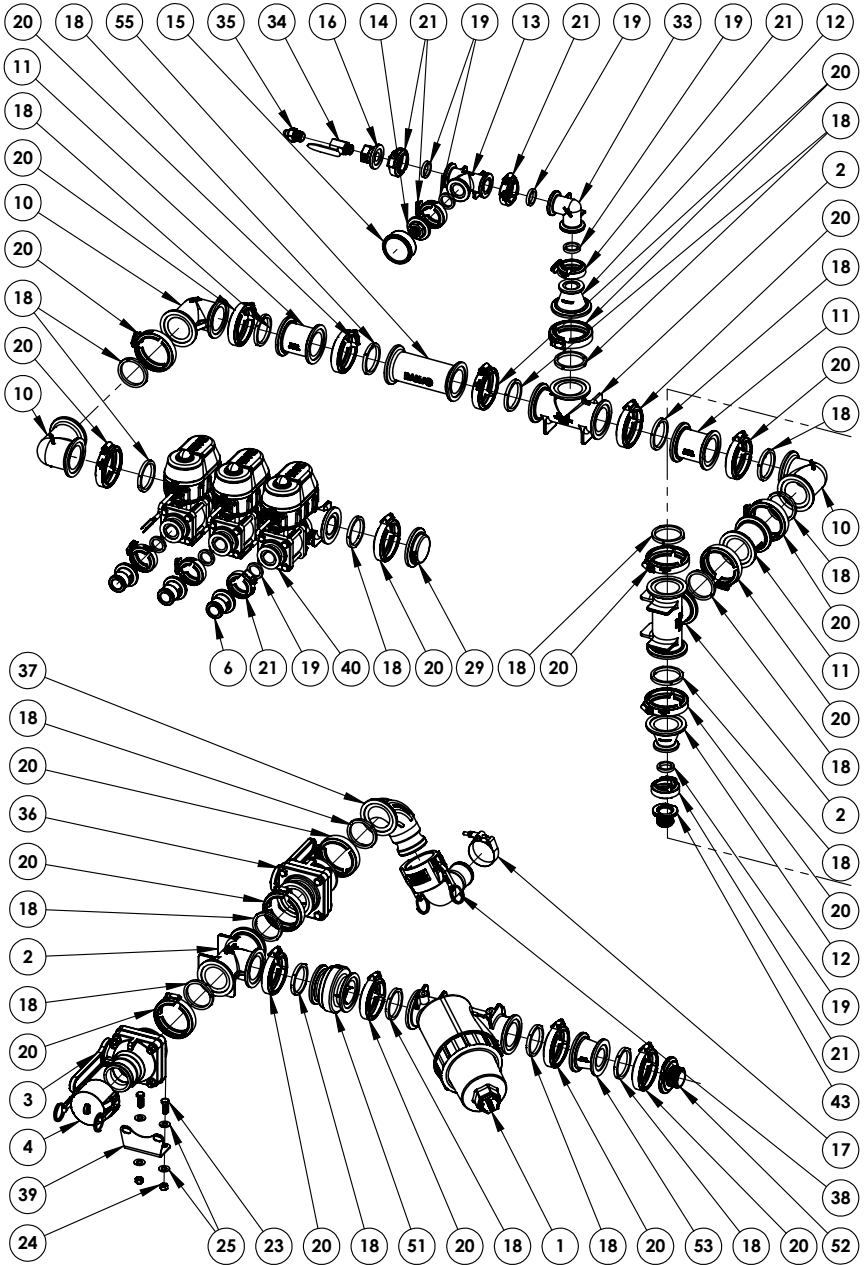
EGOMAX NON GPS



VIEW A



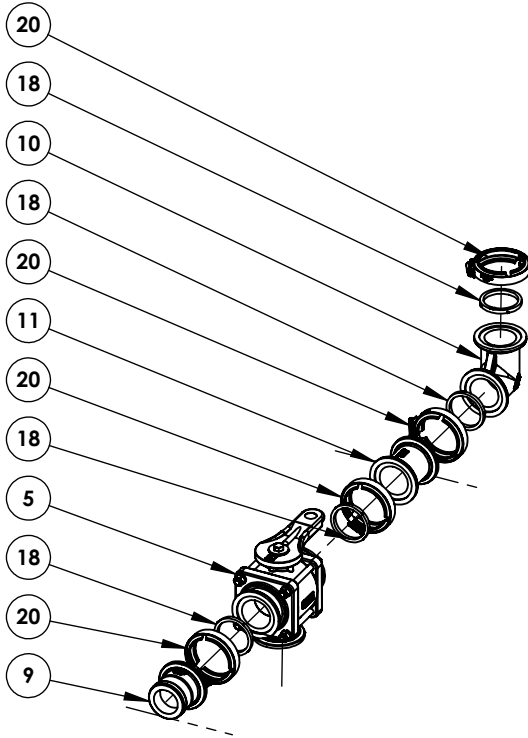
VIEW B



ICE MASTER® T-SERIES

VIEW C

ICE MASTER® T-SERIES



PARTS LIST

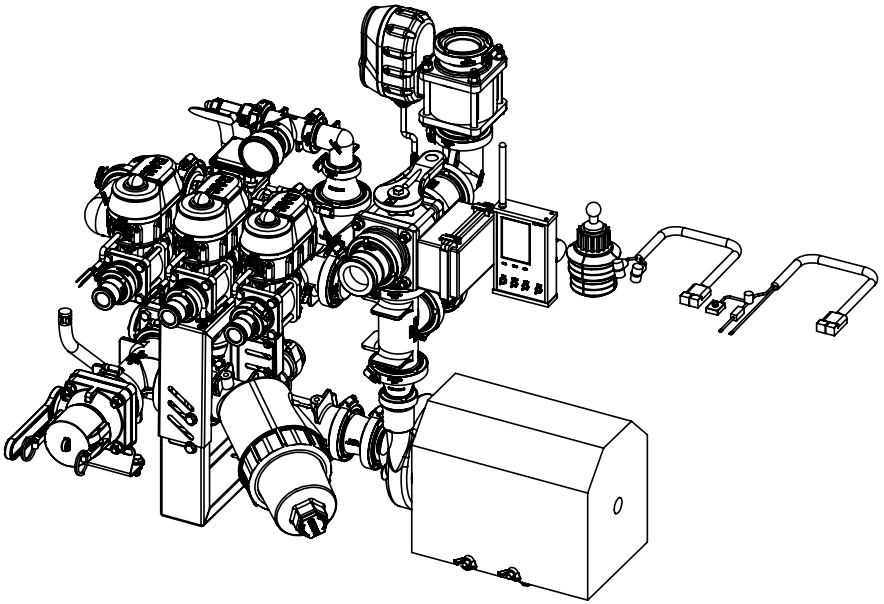
ITEM NO.	Part #	DESCRIPTION	QTY.
1	CBMLS2216	MLS222 Y-Strainer 16 Mesh	1
2	CBM220TEE	2 Manifold Tee - 220 Series	3
3	CBMVSF220FP	2-in FP Manifold x 2-in Male Adaptor	1
4	CB200CAP	2-in Cap	1
5	CBMV220BLSH	2" FP Bot Load Manifold Valve w/ SH Handle	1
6	CBM100A	1" Flange x 1" Male Adapter	3
7	AZKR0019	Deicing Valve Bracket Top	1
8	AZKF0021	Deicing Valve Bracket Base	1
9	CBM220A	2 IN FP Male Adapter x 2 IN Manifold	1
10	CBM220CPG90	2" FP x 2" FP Manifold Coupling 90°	4
11	CBM220CPG	2 x 2 Full Port Flange	4
12	CBM220100CPG	2" Full Port Flange x 1" Reducer Flange	2
13	CBM100TEE	1" Manifold Tee	1
14	CBM100PLG025	1 IN Flange x .25 FPT	1
15	CV2241GXB100	Pressure gauge 100psi Glycerin filled	1
16	CBM100050FPT	1 IN Flange x .5 IN Female Thread	1
17	CBTC231	2" T-Bolt Hose Clamp 2.31 MIN	1
18	CBM221G	2" FP Manifold Gasket with Rib	24
19	CBM100G	1" Manifold Gasket	8
20	CBFC220	2 SS Flange Worm Screw Clamp	24
21	CBFC100	1" Worm Screw Flange Clamp	8
22	CFCC003	Clamp for 1/2" Hose	2
23	CHBS030523	3-8" x 1" SS Hex Bolt	4
24	CHNSN0323	3/8" SS Nylock Nut	14
25	CHWSF033	3/8" SS Flat Washer	8
26	CHNSN0223	5-16 SS Nyloc Nut	4
27	CHWSF023	5/16" SS Flat Washer	8
28	CHBS020323	5-16 x .75 SS Bolt	4
29	CBM220PLG	2 IN Full Port Flange Plug	1
30	CEWCIM03	16 GA IM Wire Harness-3 toggle switch	1
31	CEWCIM11	Ecomax pump 4 foot harness with plug	1
32	CEWCIM13	Ecomax pump harness with fuse-solenoid-battery hook-up-in cab switch	1
33	CBM100CPG90	1" Manifold Coupling 90	1
34	CVS34DZO	.5 IN FPT x .5 IN MPT Ball Valve	1
35	CBHB05090	1/2 MNPT x 1/2 Hose Shank 90	1
36	CBMVS220CF	2-in Full Port Stubby Manifold Valve	1
37	CBM220ASWP90	2 inch Full Port Flange x Hose Shank Sweep	1
38	CB200C90	90 Female coupling to hose shank	1
39	CBV25271	90 degree Mounting Bracket	1
40	CBMEVX103A	3-bank electric Banjo Valve bolted with pin con	1
41	CHUS031234002	1.75 SS U-Bolt	1
42	APAMT001	12V IMS Ecomax pump	1

PARTS LIST

ITEM NO.	Part #	DESCRIPTION	QTY.
43	CBM100MPTSS	1 IN FP Flange x 1 IN Male Thread	1
44	CSLC432	12V Heavy Duty Pump Plate	1
45	ACPC03	EcoMax Pump Cover	1
46	CHWSF033	3/8 SS Flat washer	16
47	CHBS030423	3/8 x 3/4 Stainless bolt	8
48	CHBS020523	5-16 x 1 Bolt Stainless Steel	4
49	CHWSL023	5-16 SS Lock Washer	4
50	CHNSW0323	3/8 Wingnut SS	4
51	CBMVCV220	2 inch Full Port Manifold Checkvalve Assembly	1
52	CBM200125MPTSS	2 IN FP Flange x 1.25 IN Male Thread	1
53	CBM220200CPG	2 inch Full Port Flange x 2 inch Reducer Flange	1
54	CLUESB020002	1/2" hose (to hose reel)	1
55	CBM220CPG6	2 x 2 Full Port Flange x 6"	1

ICE MASTER® T-SERIES

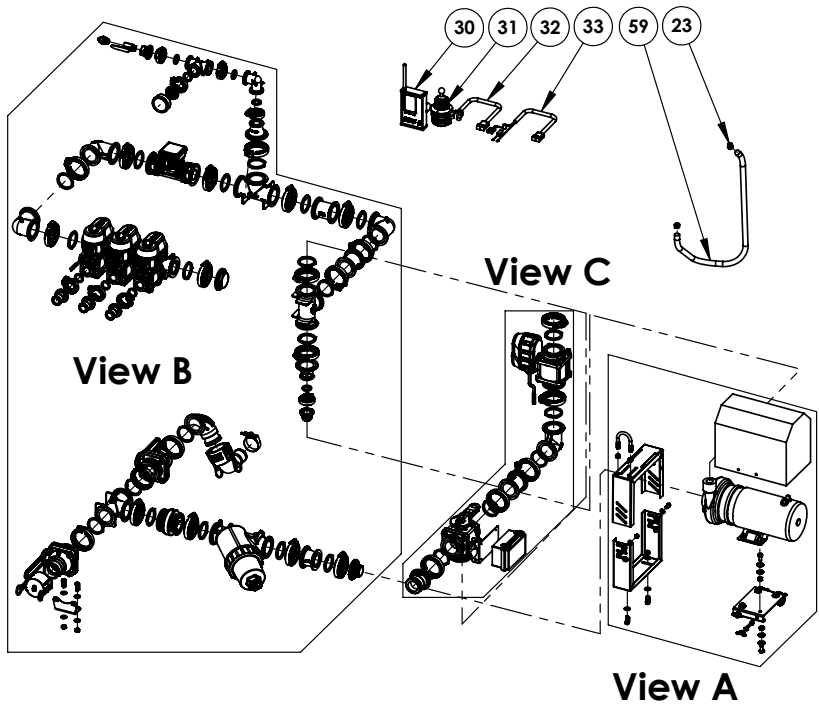
ECOMAX GPS



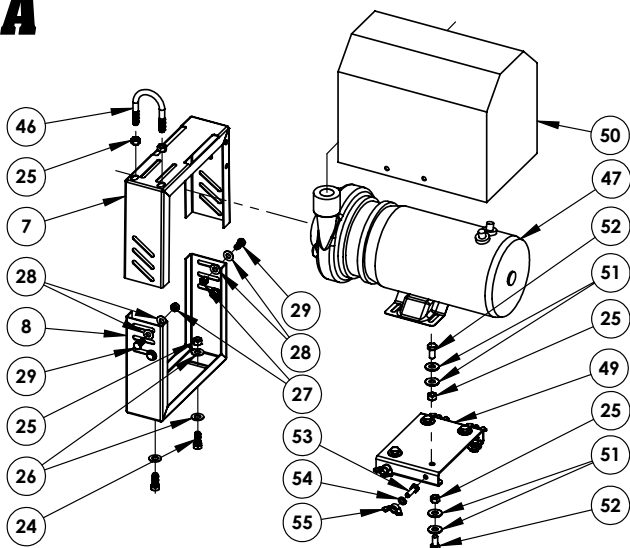
ICE MASTER® T-SERIES

T-SERIES ECOMAX GPS PLUMBING 2022

DETAIL VIEW

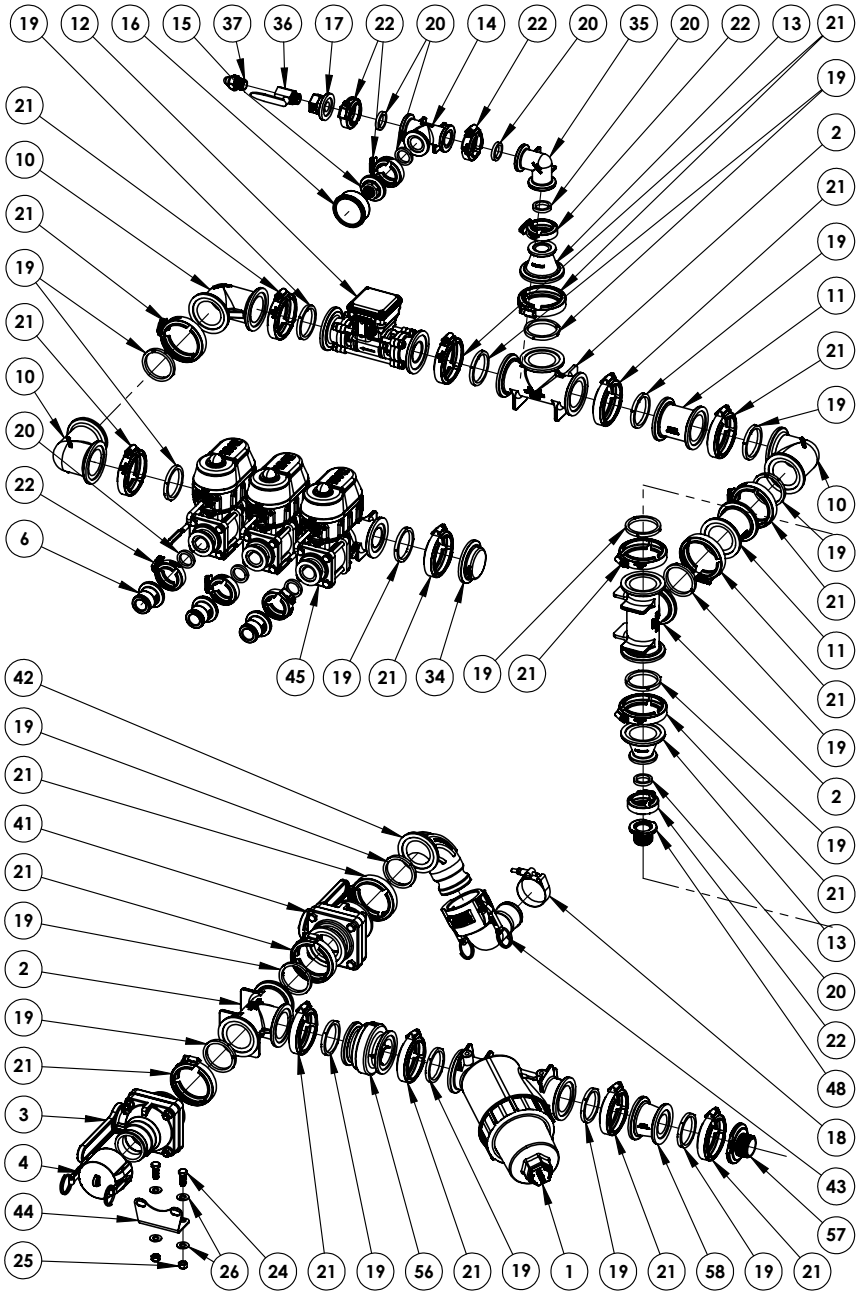


VIEW A



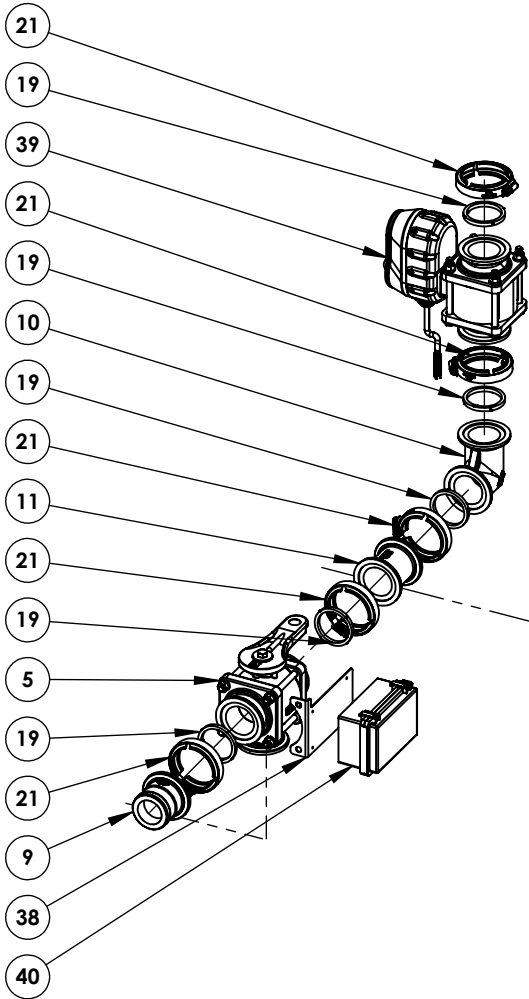
ICE MASTER® T-SERIES

VIEW B



VIEW C

ICE MASTER® T-SERIES



PARTS LIST

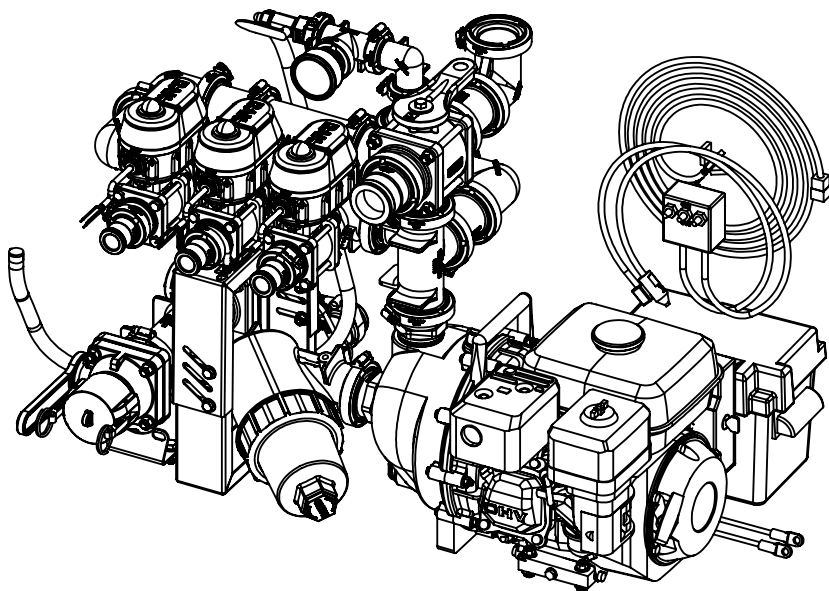
ITEM NO.	Part #	DESCRIPTION	QTY.
1	CBMLS2216	MLS222 Y-Strainer 16 Mesh	1
2	CBM220TEE	2 Manifold Tee - 220 Series	3
3	CBMVSF220FP	2-in FP Manifold x 2-in Male Adaptor	1
4	CB200CAP	2-in Cap	1
5	CBMV220BLSH	2" FP Bot Load Manifold Valve w/ SH Handle	1
6	CBM100A	1" Flange x 1" Male Adapter	3
7	AZKR0019	Deicing Valve Bracket Top	1
8	AZKF0021	Deicing Valve Bracket Base	1
9	CBM220A	2 IN FP Male Adapter x 2 IN Manifold	1
10	CBM220CPG90	2" FP x 2" FP Manifold Coupling 90°	4
11	CBM220CPG	2 x 2 Full Port Flange	3
12	CA46221A58787	Electro-Magnetic Flowmeter with 2 inch Full Port	1
13	CBM220100CPG	2" Full Port Flange x 1" Reducer Flange	2
14	CBM100TEE	1" Manifold Tee	1
15	CBM100PLG025	1 IN Flange x .25 FPT	1
16	CV2241GXB100	Pressure gauge 100psi Glycerin filled	1
17	CBM100050FPT	1 IN Flange x .5 IN Female Thread	1
18	CBTC231	2" T-Bolt Hose Clamp 2.31 MIN	1
19	CBM221G	2" FP Manifold Gasket with Rib	24
20	CBM100G	1" Manifold Gasket	8
21	CBFC220	2 SS Flange Worm Screw Clamp	24
22	CBFC100	1" Worm Screw Flange Clamp	8
23	CFCC003	Clamp for 1/2" Hose	2
24	CHBS030523	3-8" x 1" SS Hex Bolt	4
25	CHNSN0323	3/8" SS Nylock Nut	14
26	CHWSF033	3/8" SS Flat Washer	8
27	CHNSN0223	5-16 SS Nyloc Nut	4
28	CHWSF023	5/16" SS Flat Washer	8
29	CHBS020323	5-16 x .75 SS Bolt	4
30	CEC056	Storm Commander controller -in-cab controller, wire hookups, control box at unit	1
31	CEC057	Cupholder Mount For GPS Controller	1
32	CEWCIM11	Ecomax pump 4 foot harness with plug	1
33	CEWCIM13	Ecomax pump harness with fuse-solenoid-battery hook-up-in cab switch	1
34	CBM220PLG	2 IN Full Port Flange Plug	1
35	CBM100CPG90	1" Manifold Coupling 90	1
36	CVS34DZO	.5 IN FPT x .5 IN MPT Ball Valve	1
37	CBHB05090	1/2 MNPT x 1/2 Hose Shank 90	1
38	CSLC723	MTS Controller Valve Bracket	1
39	CBMEVXR2W220A	2 IN Bolted Full Port Reg Valve w3pin WP Con	1
40	AVTC06	MTS CAMION GPS Junction Box	1
41	CBMVS220CF	2-in Full Port Stubby Manifold Valve	1
42	CBM220ASWP90	2 inch Full Port Flange x Hose Shank Sweep	1

PARTS LIST

ITEM NO.	Part #	DESCRIPTION	QTY.
43	CB200C90	90 Female coupling to hose shank	1
44	CBV25271	90 degree Mounting Bracket	1
45	CBMEVX103A	3-bank electric Banjo Valve bolted with pin con	1
46	CHUS031234002	1.75 SS U-Bolt	1
47	APAMT001	12V IMS Ecomax pump	1
48	CBM100MPTSS	1 IN FP Flange x 1 IN Male Thread	1
49	CSLC432	12V Heavy Duty Pump Plate	1
50	ACPC03	EcoMax Pump Cover	1
51	CHWSF033	3/8 SS Flat washer	16
52	CHBS030423	3/8 x 3/4 Stainless bolt	8
53	CHBS020523	5-16 x 1 Bolt Stainless Steel	4
54	CHWSL023	5-16 SS Lock Washer	4
55	CHNSW0323	3/8 Wingnut SS	4
56	CBMCV220	2 inch Full Port Manifold Checkvalve Assembly	1
57	CBM200125MPTSS	2 IN FP Flange x 1.25 IN Male Thread	1
58	CBM220200CPG	2 inch Full Port Flange x 2 Inch Reducer Flange	1
59	CLUESB020002	1/2" hose (to hose reel)	1

ICE MASTER® T-SERIES

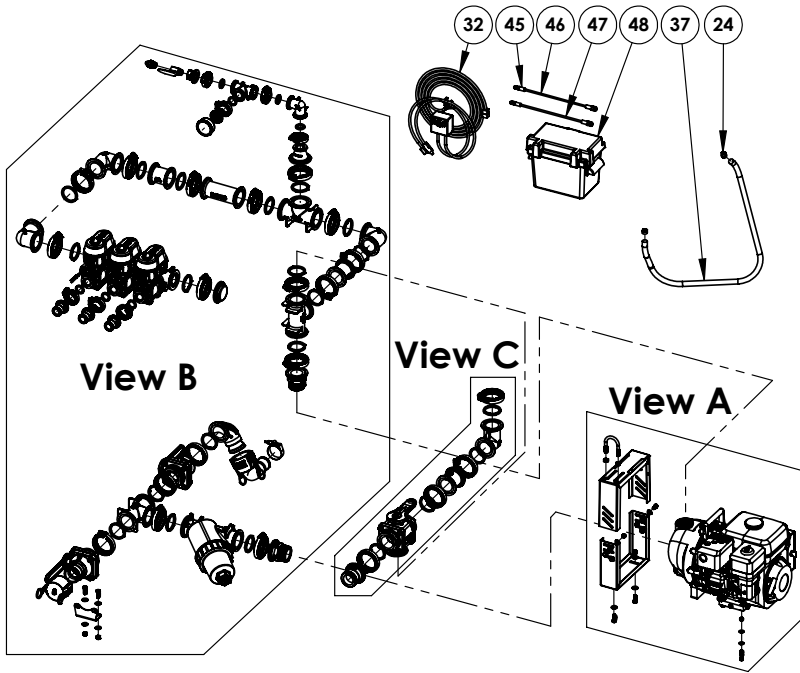
GAS NON GPS



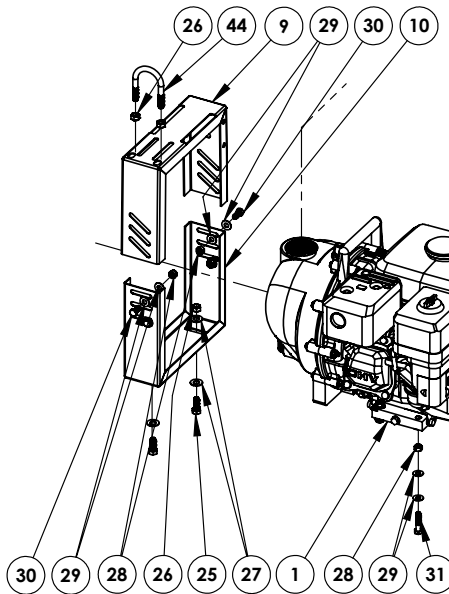
ICE MASTER® T-SERIES

T-SERIES GAS NON GPS PLUMBING 2022

DETAIL VIEW

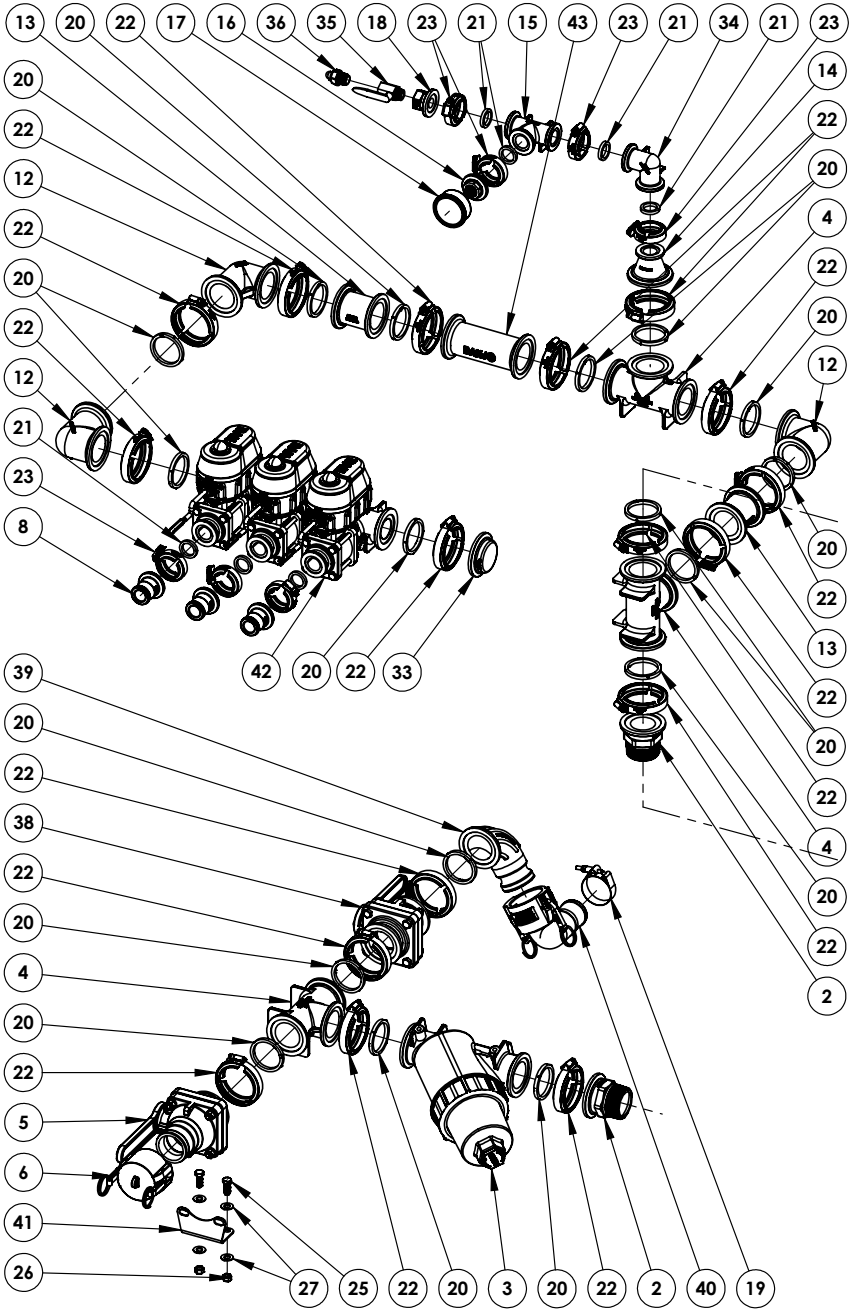


VIEW A



ICE MASTER® T-SERIES

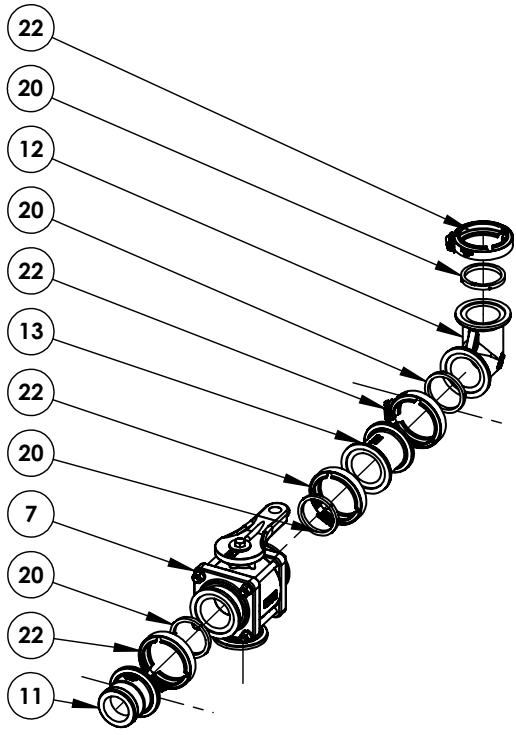
VIEW B



ICE MASTER® T-SERIES

VIEW C

ICE MASTER® T-SERIES



PARTS LIST

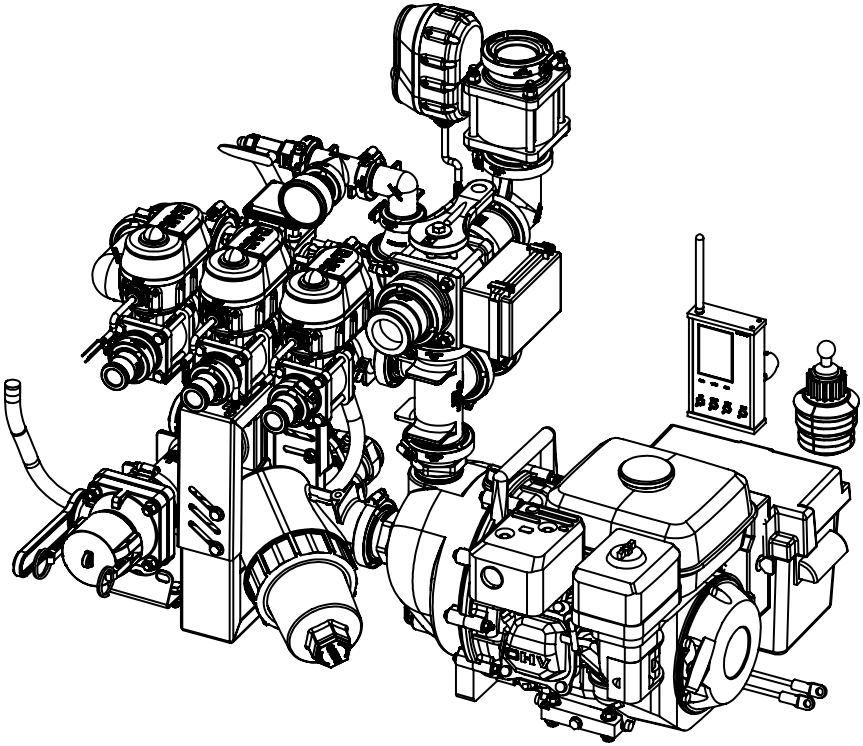
ITEM NO.	Part #	DESCRIPTION	QTY.
1	CB200PH5E	2 inch Poly Pump with 5.5HP Honda Engine Electric Start	1
2	CBM220MPT	2-in FP Manifold x 2-in Male Thread	2
3	CBMLS2216	MLS222 Y-Strainer 16 Mesh	1
4	CBM220TEE	2 Manifold Tee - 220 Series	3
5	CBMVSF220FP	2-in FP Manifold x 2-in Male Adaptor	1
6	CB200CAP	2-in Cap	1
7	CBMV220BLSH	2" FP Bot Load Manifold Valve w/ SH Handle	1
8	CBM100A	1" Flange x 1" Male Adapter	3
9	AZKR0019	Deicing Valve Bracket Top	1
10	AZKF0021	Deicing Valve Bracket Base	1
11	CBM220A	2 IN FP Male Adapter x 2 IN Manifold	1
12	CBM220CPG90	2" FP x 2" FP Manifold Coupling 90°	4
13	CBM220CPG	2 x 2 Full Port Flange	3
14	CBM220100CPG	2" Full Port Flange x 1" Reducer Flange	1
15	CBM100TEE	1" Manifold Tee	1
16	CBM100PLG025	1 IN Flange x .25 FPT	1
17	CV2241GXB100	Pressure gauge 100psi Glycerin filled	1
18	CBM100050FPT	1 IN Flange x .5 IN Female Thread	1
19	CBTC231	2" T-Bolt Hose Clamp 2.31 MIN	1
20	CBM221G	2" FP Manifold Gasket with Rib	21
21	CBM100G	1" Manifold Gasket	7
22	CBFC220	2 SS Flange Worm Screw Clamp	21
23	CBFC100	1" Worm Screw Flange Clamp	7
24	CFCC003	Clamp for 1/2" Hose	2
25	CHBS030523	3-8" x 1" SS Hex Bolt	4
26	CHNSN0323	3/8" SS Nylock Nut	6
27	CHWSF033	3/8" SS Flat Washer	8
28	CHNSN0223	5-16 SS Nyloc Nut	8
29	CHWSF023	5/16" SS Flat Washer	16
30	CHBS020323	5-16 x .75 SS Bolt	4
31	CHBS020723	5/16" x 1-1/2" SS Bolt	4
32	CEWCI003	16 GA IM Wire Harness-3 toggle switch	1
33	CBM220PLG	2 IN Full Port Flange Plug	1
34	CBM100CPG90	1" Manifold Coupling 90	1
35	CVS34DZO	.5 IN FPT x .5 IN MPT Ball Valve	1
36	CBHB05090	1/2 MNPT x 1/2 Hose Shank 90	1
37	CLUESB020002	1/2" hose (to hose reel)	1
38	CBMVS220CF	2-in Full Port Stubby Manifold Valve	1
39	CBM220ASWP90	2 inch Full Port Flange x Hose Shank Sweep	1
40	CB200C90	90 Female coupling to hose shank	1
41	CBV25271	90 degree Mounting Bracket	1
42	CBMEVX103A	3-bank electric Banjo Valve bolted with pin con	1
43	CBM220CPG6	2 x 2 Full Port Flange x 6"	1

PARTS LIST

ITEM NO.	Part #	DESCRIPTION	QTY.
44	CHUS031234002	1.75 SS U-Bolt	1
45	CTEW018	Battery Terminal - Standard Lug Plated	4
46	CTEW017	Battery Cable - 4GA. Black	1
47	CTEW016	Battery Cable - 4GA. Red	1
48	CTEW037	Battery Box, Polypropylene, for U1 Battery Size	1

ICE MASTER® T-SERIES

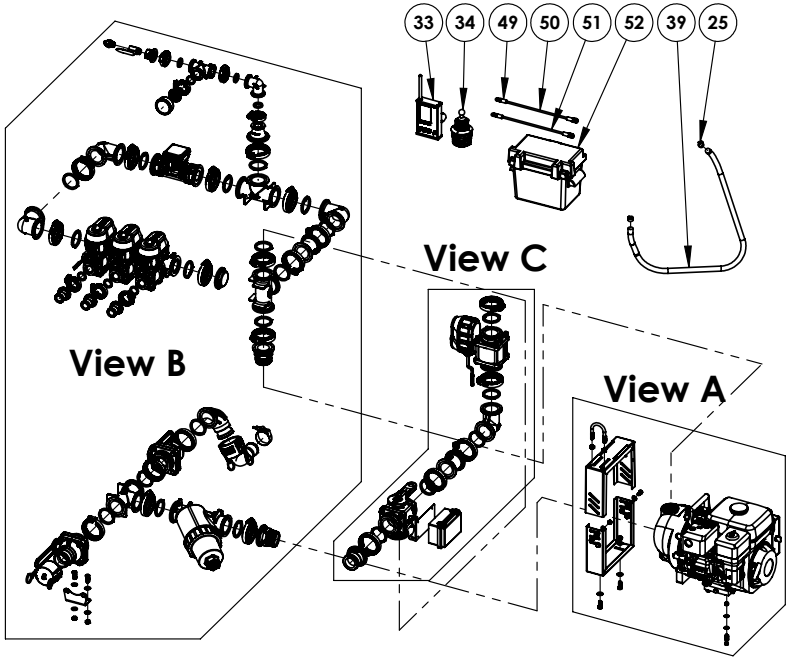
GAS GPS



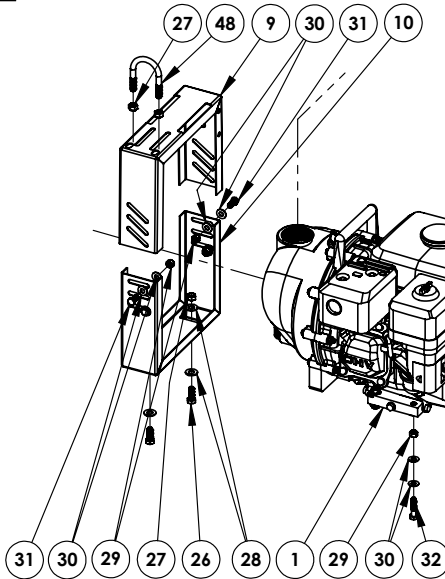
ICE MASTER® T-SERIES

T-SERIES GAS GPS PLUMBING 2022

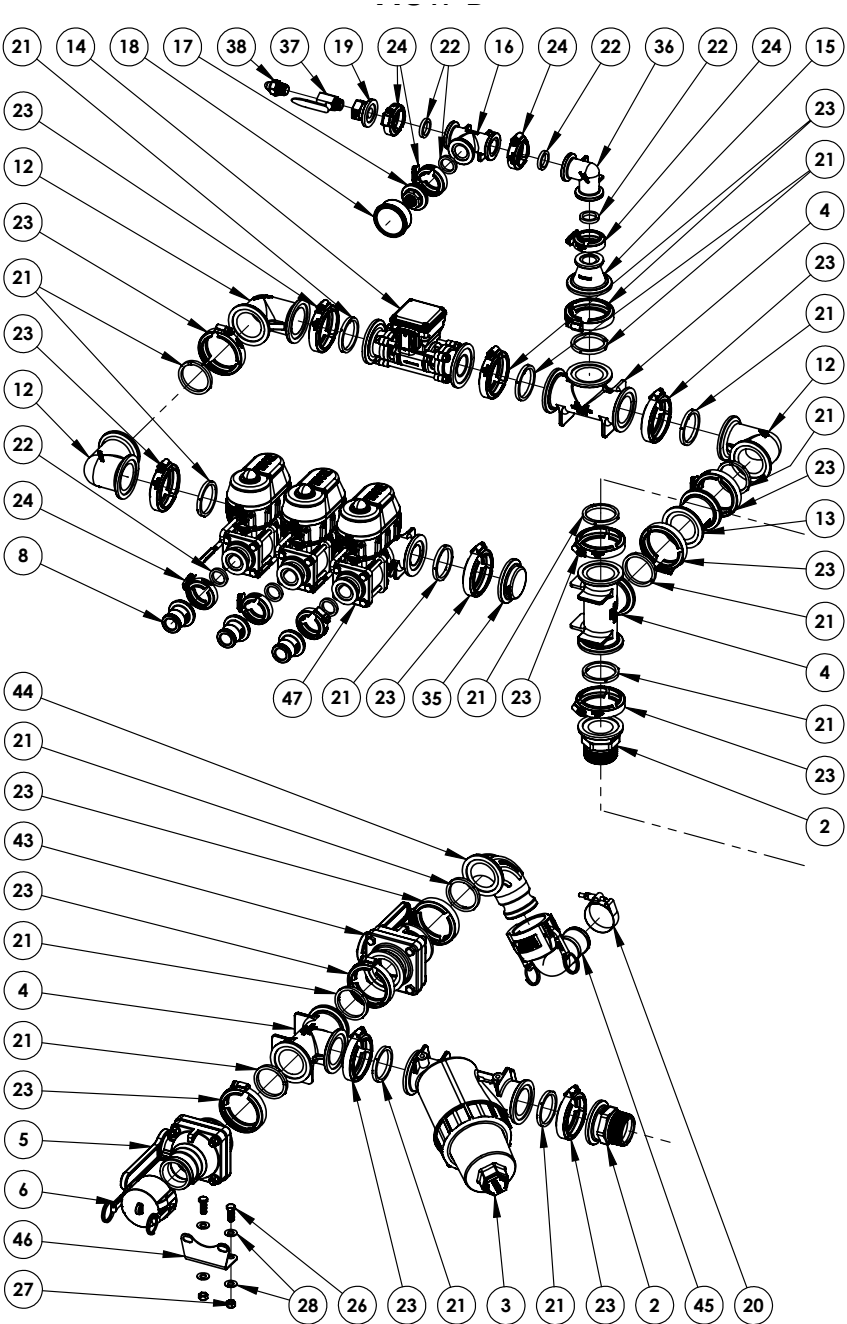
OVERVIEW



VIEW A



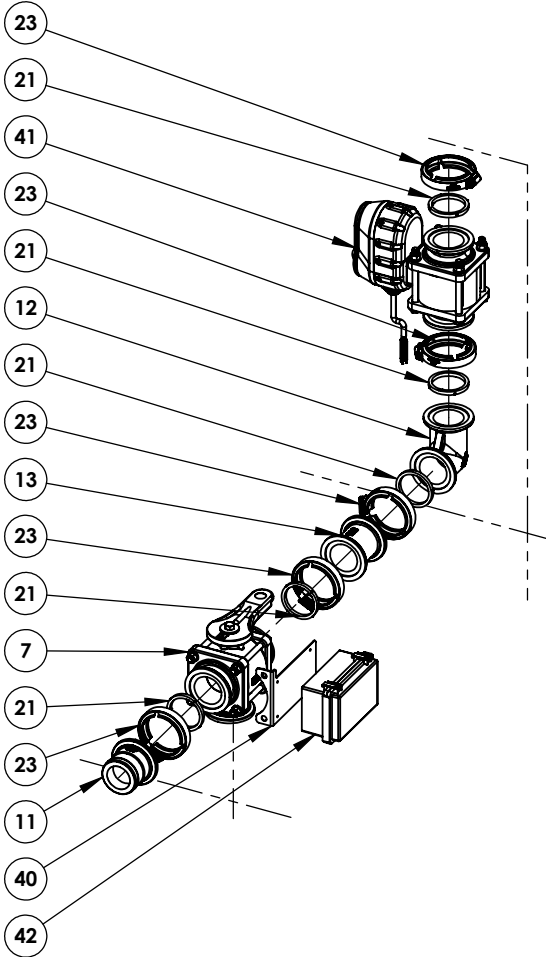
VIEW B



ICE MASTER® T-SERIES

VIEW C

ICE MASTER® T-SERIES



PARTS LIST

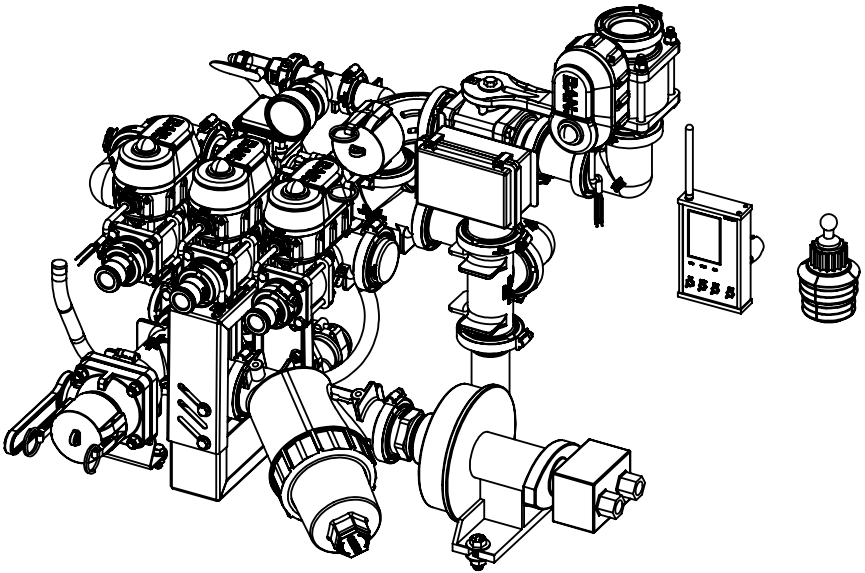
ITEM NO.	Part #	DESCRIPTION	QTY.
1	CB200PH5E	2 inch Poly Pump with 5.5HP Honda Engine Electric Start	1
2	CBM220MPT	2-in FP Manifold x 2-in Male Thread	2
3	CBMLS2216	MLS222 Y-Strainer 16 Mesh	1
4	CBM220TEE	2 Manifold Tee - 220 Series	3
5	CBMVSF220FP	2-in FP Manifold x 2-in Male Adaptor	1
6	CB200CAP	2-in Cap	1
7	CBMV220BLSH	2" FP Bot Load Manifold Valve w/ SH Handle	1
8	CBM100A	1" Flange x 1" Male Adapter	3
9	AZKR0019	Deicing Valve Bracket Top	1
10	AZKF0021	Deicing Valve Bracket Base	1
11	CBM220A	2 IN FP Male Adapter x 2 IN Manifold	1
12	CBM220CPG90	2" FP x 2" FP Manifold Coupling 90°	4
13	CBM220CPG	2 x 2 Full Port Flange	2
14	CA46221A58787	Electro-Magnetic Flowmeter with 2 inch Full Port	1
15	CBM220100CPG	2" Full Port Flange x 1" Reducer Flange	1
16	CBM100TEE	1" Manifold Tee	1
17	CBM100PLG025	1 IN Flange x .25 FPT	1
18	CV2241GXB100	Pressure gauge 100psi Glycerin filled	1
19	CBM100050FPT	1 IN Flange x .5 IN Female Thread	1
20	CBTC231	2" T-Bolt Hose Clamp 2.31 MIN	1
21	CBM221G	2" FP Manifold Gasket with Rib	21
22	CBM100G	1" Manifold Gasket	7
23	CBFC220	2 SS Flange Worm Screw Clamp	21
24	CBFC100	1" Worm Screw Flange Clamp	7
25	CFCC003	Clamp for 1/2" Hose	2
26	CHBS030523	3-8" x 1" SS Hex Bolt	4
27	CHNSN0323	3/8" SS Nylock Nut	6
28	CHWSF033	3/8" SS Flat Washer	8
29	CHNSN0223	5-16 SS Nyloc Nut	8
30	CHWSF023	5/16" SS Flat Washer	16
31	CHBS020323	5-16 x .75 SS Bolt	4
32	CHBS020723	5/16" x 1-1/2" SS Bolt	4
33	CEC056	Storm Commander controller -in-cab controller, wire hookups, control box at unit	1
34	CEC057	Cupholder Mount For GPS Controller	1
35	CBM220PLG	2 IN Full Port Flange Plug	1
36	CBM100CPG90	1" Manifold Coupling 90	1
37	CVS34DZO	.5 IN FPT x .5 IN MPT Ball Valve	1
38	CBHB05090	1/2 MNPT x 1/2 Hose Shank 90	1
39	CLUESB020002	1/2" hose (to hose reel)	1
40	CSLC723	MTS Controller Valve Bracket	1
41	CBMEVXR2W220A	2 IN Bolted Full Port Reg Valve w3pin WP Con	1
42	AVTC06	MTS CAMION GPS Junction Box	1

PARTS LIST

ITEM NO.	Part #	DESCRIPTION	QTY.
43	CBMVS220CF	2-in Full Port Stubby Manifold Valve	1
44	CBM220ASWP90	2 inch Full Port Flange x Hose Shank Sweep	1
45	CB200C90	90 Female coupling to hose shank	1
46	CBV25271	90 degree Mounting Bracket	1
47	CBMEVX103A	3-bank electric Banjo Valve bolted with pin con	1
48	CHUS031234002	1.75 SS U-Bolt	1
49	CTEW018	Battery Terminal - Standard Lug Plated	4
50	CTEW017	Battery Cable - 4GA. Black	1
51	CTEW016	Battery Cable - 4GA. Red	1
52	CTEW037	Battery Box, Polypropylene, for U1 Battery Size	1

ICE MASTER® T-SERIES

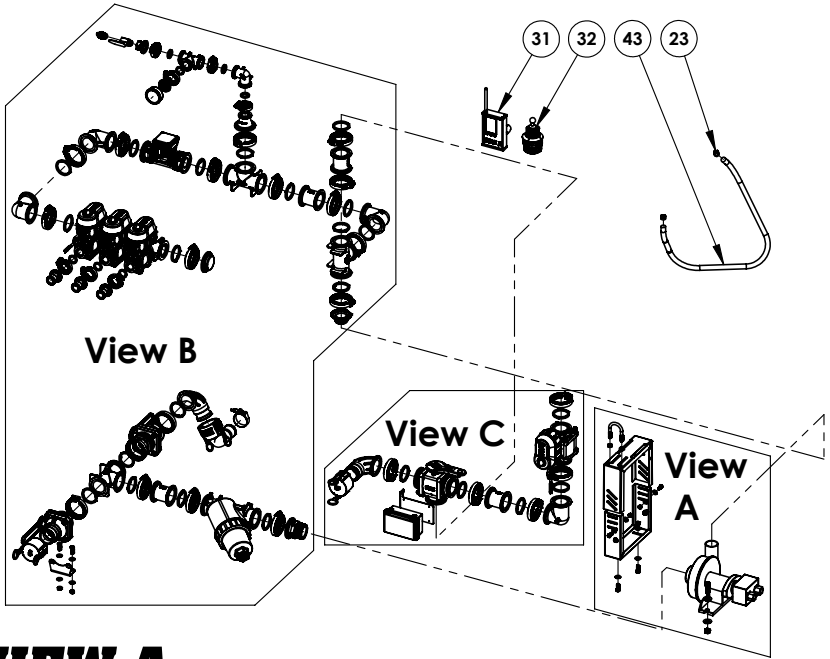
HYDRAULIC GPS



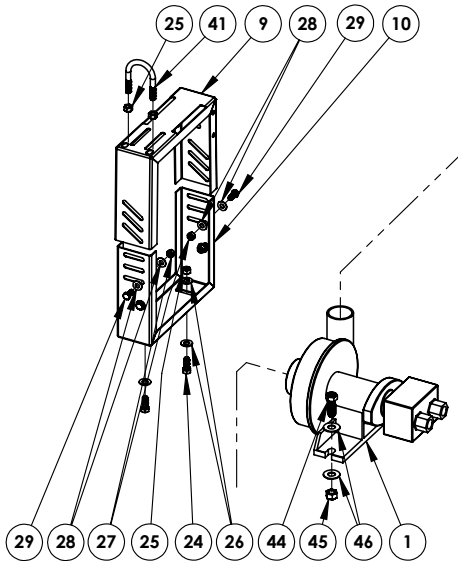
ICE MASTER® T-SERIES

HYDRAULIC GPS PLUMBING 2022

OVERVIEW

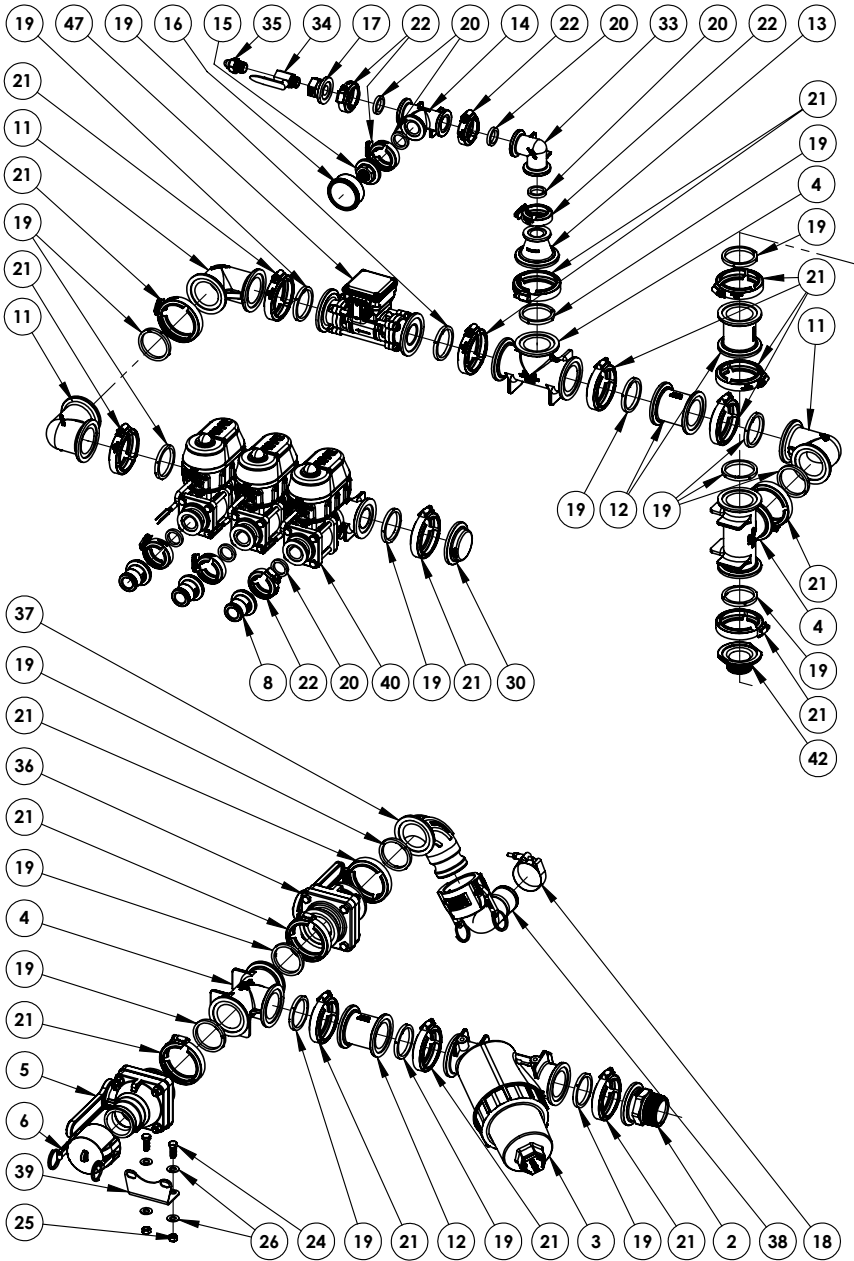


VIEW A



ICE MASTER® T-SERIES

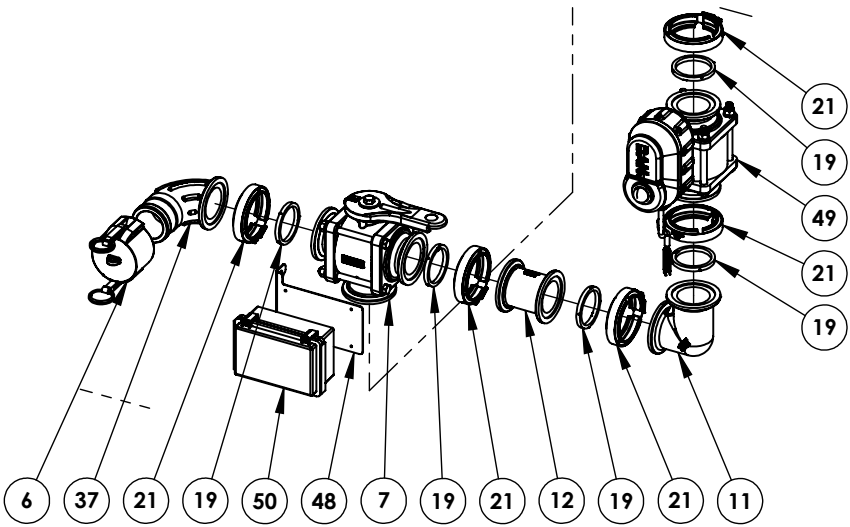
VIEW B



ICE MASTER® T-SERIES

VIEW C

ICE MASTER® T-SERIES



PARTS LIST

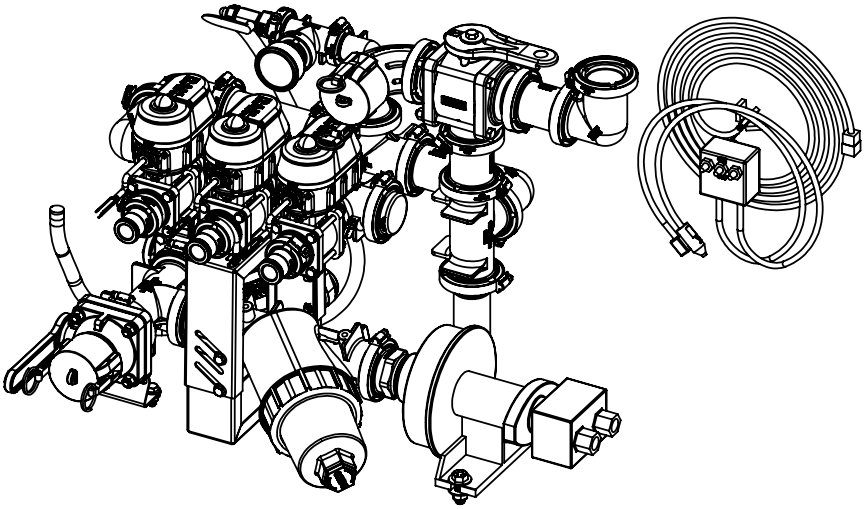
ITEM NO.	Part #	DESCRIPTION	QTY.
1	APDC09HS	SS Hydraulic pump	1
2	CBM220MPT	2-in FP Manifold x 2-in Male Thread	1
3	CBMLS2216	MLS222 Y-Strainer 16 Mesh	1
4	CBM220TEE	2 Manifold Tee - 220 Series	3
5	CBMVSF220FP	2-in FP Manifold x 2-in Male Adaptor	1
6	CB200CAP	2-in Cap	2
7	CBMV220BLSH	2" FP Bot Load Manifold Valve w/ SH Handle	1
8	CBM100A	1" Flange x 1" Male Adapter	3
9	AZKR0019	Deicing Valve Bracket Top	1
10	AZKF0021	Deicing Valve Bracket Base	1
11	CBM220CPG90	2" FP x 2" FP Manifold Coupling 90°	4
12	CBM220CPG	2 x 2 Full Port Flange	4
13	CBM220100CPG	2" Full Port Flange x 1" Reducer Flange	1
14	CBM100TEE	1" Manifold Tee	1
15	CBM100PLG025	1 IN Flange x .25 FPT	1
16	CV2241GXB100	Pressure gauge 100psi Glycerin filled	1
17	CBM100050FPT	1 IN Flange x .5 IN Female Thread	1
18	CBTC231	2" T-Bolt Hose Clamp 2.31 MIN	1
19	CBM221G	2" FP Manifold Gasket with Rib	23
20	CBM100G	1" Manifold Gasket	7
21	CBFC220	2 SS Flange Worm Screw Clamp	23
22	CBFC100	1" Worm Screw Flange Clamp	7
23	CFCC003	Clamp for 1/2" Hose	2
24	CHBS030523	3-8" x 1" SS Hex Bolt	4
25	CHNSN0323	3/8" SS Nylock Nut	6
26	CHWSF033	3/8" SS Flat Washer	8
27	CHNSN0223	5-16 SS Nyloc Nut	4
28	CHWSF023	5/16" SS Flat Washer	8
29	CHBS020323	5-16 x .75 SS Bolt	4
30	CBM220PLG	2 IN Full Port Flange Plug	1
31	CEC056	Storm Commander controller -in-cab controller, wire hookups, control box at unit	1
32	CEC057	Cupholder Mount For GPS Controller	1
33	CBM100CPG90	1" Manifold Coupling 90	1
34	CVS34DZO	.5 IN FPT x .5 IN MPT Ball Valve	1
35	CBHB05090	1/2 MNPT x 1/2 Hose Shank 90	1
36	CBMVS220CF	2-in Full Port Stubby Manifold Valve	1
37	CBM220ASWP90	2 inch Full Port Flange x Hose Shank Sweep	2
38	CB200C90	90 Female coupling to hose shank	1
39	CBV25271	90 degree Mounting Bracket	1
40	CBMEVX103A	3-bank electric Banjo Valve bolted with pin con	1
41	CHUS031234002	1.75 SS U-Bolt	1
42	CBM220150MPTSS	2 IN Full Port Flange x 1-1/2 inch MPT SS	1
43	CLUESB020002	1/2" hose (to hose reel)	1

PARTS LIST

ITEM NO.	Part #	DESCRIPTION	QTY.
44	CHAS050723	1/2" x 1-1/2" Stainless Hex Bolt All Thread	2
45	CHNSN0533	1/2" Nylock Nut 304 SS	2
46	CHWSF053	1/2 SS flat washer	4
47	CA46221A58787	Electro-Magnetic Flowmeter with 2 inch Full Port	1
48	CSLC723	MTS Controller Valve Bracket	1
49	CBMEVXR2W220A	2 IN Bolted Full Port Reg Valve w3pin WP Con	1
50	AVTC06	MTS CAMION GPS Junction Box	1

ICE MASTER® T-SERIES

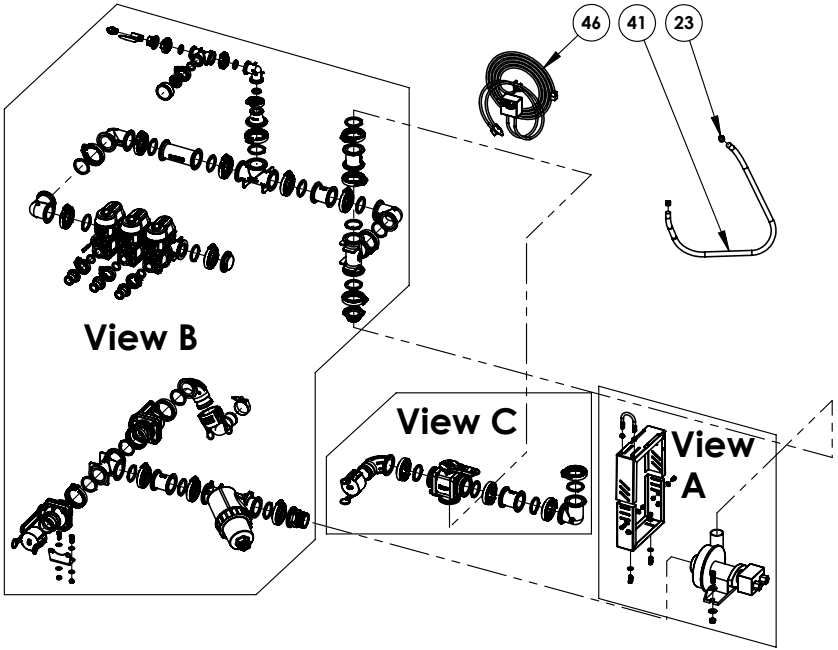
HYDRAULIC NON GPS



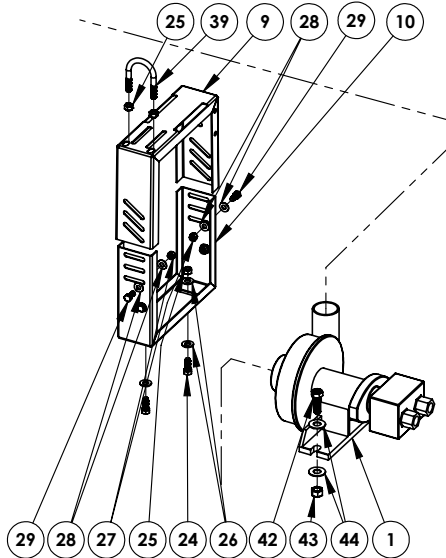
ICE MASTER® T-SERIES

HYDRAULIC NON GPS PLUMBING 2022

OVERVIEW



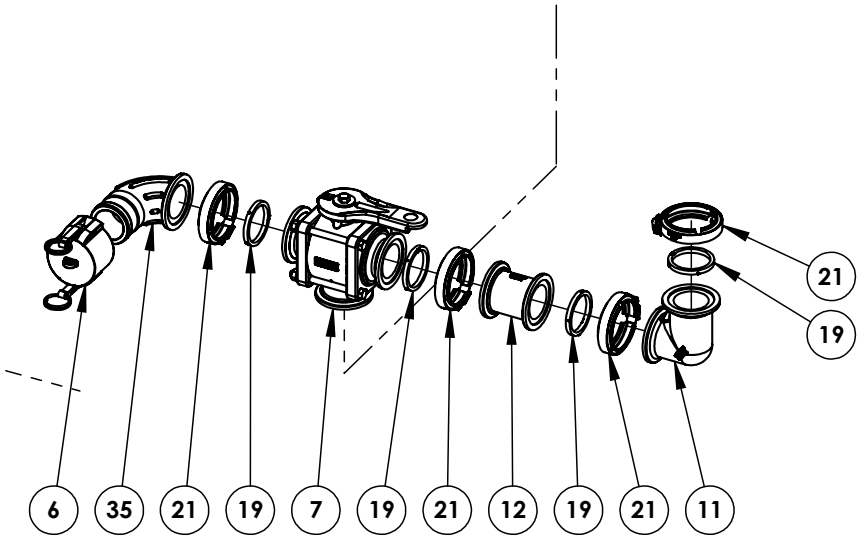
VIEW A



ICE MASTER® T-SERIES

VIEW C

ICE MASTER® T-SERIES



PARTS LIST

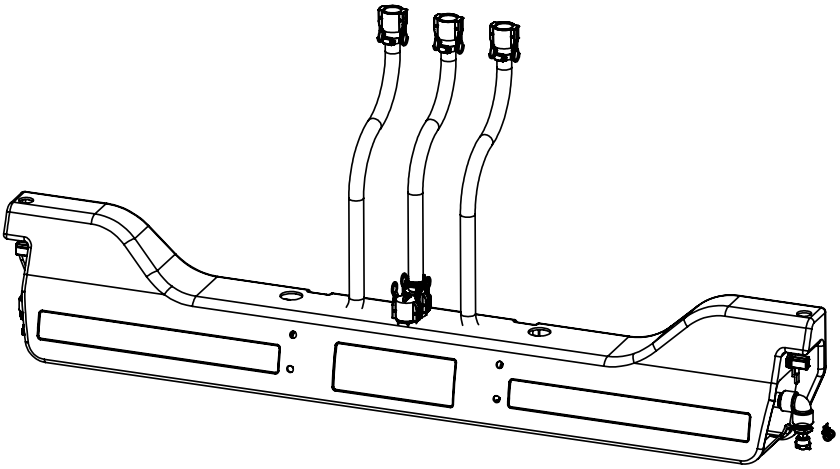
ITEM NO.	Part #	DESCRIPTION	QTY.
1	APDC09HS	SS Hydraulic pump	1
2	CBM220MPT	2-in FP Manifold x 2-in Male Thread	1
3	CBMLS2216	MLS222 Y-Strainer 16 Mesh	1
4	CBM220TEE	2 Manifold Tee - 220 Series	3
5	CBMV5F220FP	2-in FP Manifold x 2-in Male Adaptor	1
6	CB200CAP	2-in Cap	2
7	CBMV220BLSH	2" FP Bot Load Manifold Valve w/ SH Handle	1
8	CBM100A	1" Flange x 1" Male Adapter	3
9	AZKR0019	Deicing Valve Bracket Top	1
10	AZKF0021	Deicing Valve Bracket Base	1
11	CBM220CPG90	2" FP x 2" FP Manifold Coupling 90°	4
12	CBM220CPG	2 x 2 Full Port Flange	4
13	CBM220100CPG	2" Full Port Flange x 1" Reducer Flange	1
14	CBM100TEE	1" Manifold Tee	1
15	CBM100PLG025	1 IN Flange x .25 FPT	1
16	CV2241GXB100	Pressure gauge 100psi Glycerin filled	1
17	CBM100050FPT	1 IN Flange x .5 IN Female Thread	1
18	CBTC231	2" T-Bolt Hose Clamp 2.31 MIN	1
19	CBM221G	2" FP Manifold Gasket with Rib	22
20	CBM100G	1" Manifold Gasket	7
21	CBFC220	2 SS Flange Worm Screw Clamp	22
22	CBFC100	1" Worm Screw Flange Clamp	7
23	CFCC003	Clamp for 1/2" Hose	2
24	CHBS030523	3-8" x 1" SS Hex Bolt	4
25	CHNSN0323	3/8" SS Nylock Nut	6
26	CHWSF033	3/8" SS Flat Washer	8
27	CHNSN0223	5-16 SS Nyloc Nut	4
28	CHWSF023	5/16" SS Flat Washer	8
29	CHBS020323	5-16 x .75 SS Bolt	4
30	CBM220PLG	2 IN Full Port Flange Plug	1
31	CBM100CPG90	1" Manifold Coupling 90	1
32	CVS34DZO	.5 IN FPT x .5 IN MPT Ball Valve	1
33	CBHB05090	1/2 MNPT x 1/2 Hose Shank 90	1
34	CBMV5220CF	2-in Full Port Stubby Manifold Valve	1
35	CBM220ASWP90	2 inch Full Port Flange x Hose Shank Sweep	2
36	CB200C90	90 Female coupling to hose shank	1
37	CBV25271	90 degree Mounting Bracket	1
38	CBMEVX103A	3-bank electric Banjo Valve bolted with pin con	1
39	CHUS031234002	1.75 SS U-Bolt	1
40	CBM220150MPTSS	2 IN Full Port Flange x 1-1/2 inch MPT SS	1
41	CLUESB020002	1/2" hose (to hose reel)	1
42	CHAS050723	1/2" x 1-1/2" Stainless Hex Bolt All Thread	2
43	CHNSN0533	1/2" Nylock Nut 304 SS	2

PARTS LIST

ITEM NO.	Part #	DESCRIPTION	QTY.
44	CHWSF053	1/2 SS flat washer	4
45	CBM220CPG6	2 x 2 Full Port Flange x 6"	1
46	CEWCIM03	16 GA IM Wire Harness-3 toggle switch	1

ICE MASTER® T-SERIES

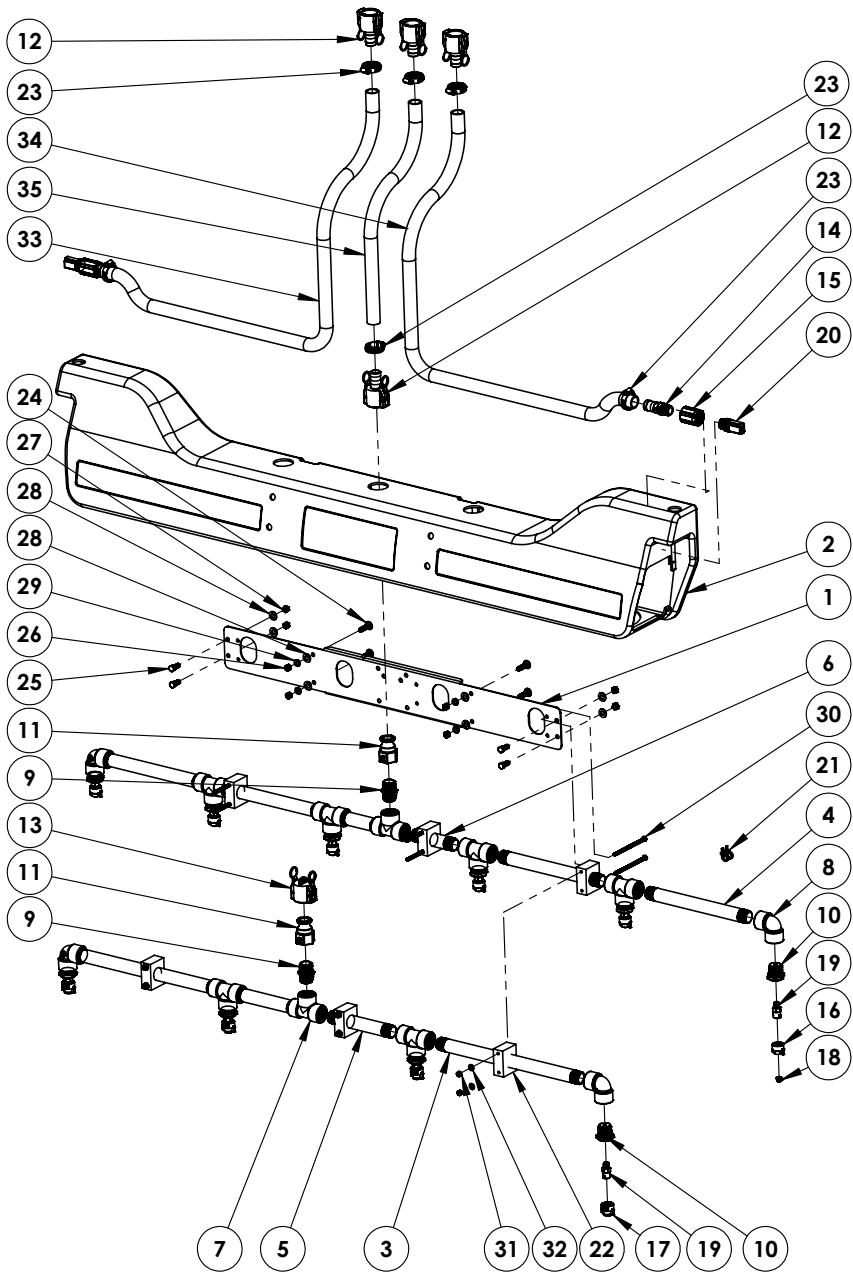
12 NOZZLE BOOM



ICE MASTER® T-SERIES

DETAIL OVERVIEW

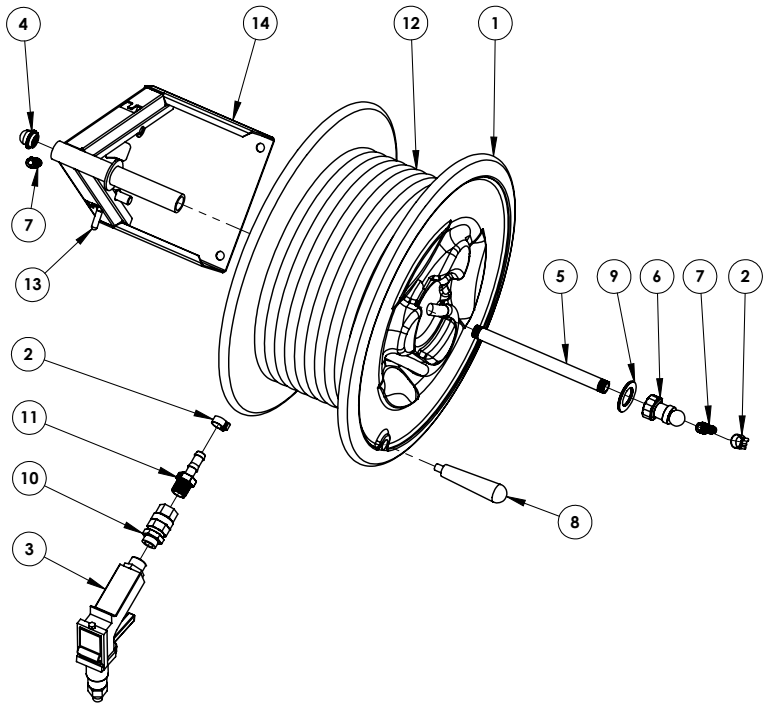
ICE MASTER® T-SERIES



PARTS LIST

ITEM NO.	Part #	DESCRIPTION	QTY.
1	AZFPM006	8 Nozzle Deicing Boom Bracket	1
2	AMICS002	Poly Shroud For Deicing Boom	1
3	AZFPM020	1" x 17-3/4" Poly Pipe For Deicing Boom	2
4	AZFPM018	1" x 12-9/16" Poly Pipe For Deicing Boom	4
5	AZFPM019	1" x 7-3/4" Poly Pipe For Deicing Boom	2
6	AZFPM017	1" x 5-1/8" Poly Pipe For Deicing Boom	2
7	CBTEE100	1" Pipe Tee	8
8	CBEL10090	1" Poly Pipe Elbow 90	4
9	CFPN05M05M	1" Short Poly Nipple	2
10	CBRB100025	1" MPT x 1/4" FPT Reducer Bushing	10
11	CB100A	1" Male Adapter x 1" FNPT	2
12	CB100C	1" Female Coupling x 1" Hose Shank	4
13	CB100125CAP	1" & 1.25" Camlock Cap	1
14	CBHB075100	3/4" MNPT x 1" Hose Shank	2
15	CBCPLG075	3/4" Poly Pipe Coupling	2
16	CNST006	25608 REP. CAP CE Black & Washer	6
17	CNST008	Teejet Tip-Extended Flat Spray	4
18	CNST025	Teejet Tip, ST. STL solid stream 1.5GPM	6
19	CNST017	TeeJet 1/4" NPT x BSPT Female Connection Adapter	10
20	CNSE001	Boom Buster Mod. 370R Spray Nozzle	2
21	CXSC0002	Cable Tie 8"	2
22	AZFPM015	1" Pipe Clamp	6
23	CFCW003	Clamp For 1" Hose	6
24	CHBS030723C	3/8" x 1-1/2" SS Carriage Bolt	4
25	CHBS030523	3-8" x 1" SS Hex Bolt	4
26	CHNSH0323	3/8" SS Hex Nut	4
27	CHNZN0325	3/8" SS Nylock Nut	4
28	CHWSF033	3/8" SS Flat Washer	8
29	CHWSL033	3/8" SS Lock Washer	4
30	CHBS012123	1/4" x 5" Long 18-8 Stainless Hex Head Bolt	6
31	CHNSN0123	1/4" Stainless Lock Nut	6
32	CHWSF013	1/4" SS Flat Washer	6
33	CLUESB020005	1" Hose (To Boomless Nozzle)	1
34	CLUESB020005	1" Hose (To Boomless Nozzle)	1
35	CLUESB020005	1" Hose (Center Boom Hose)	1

DEICING HOSE REEL

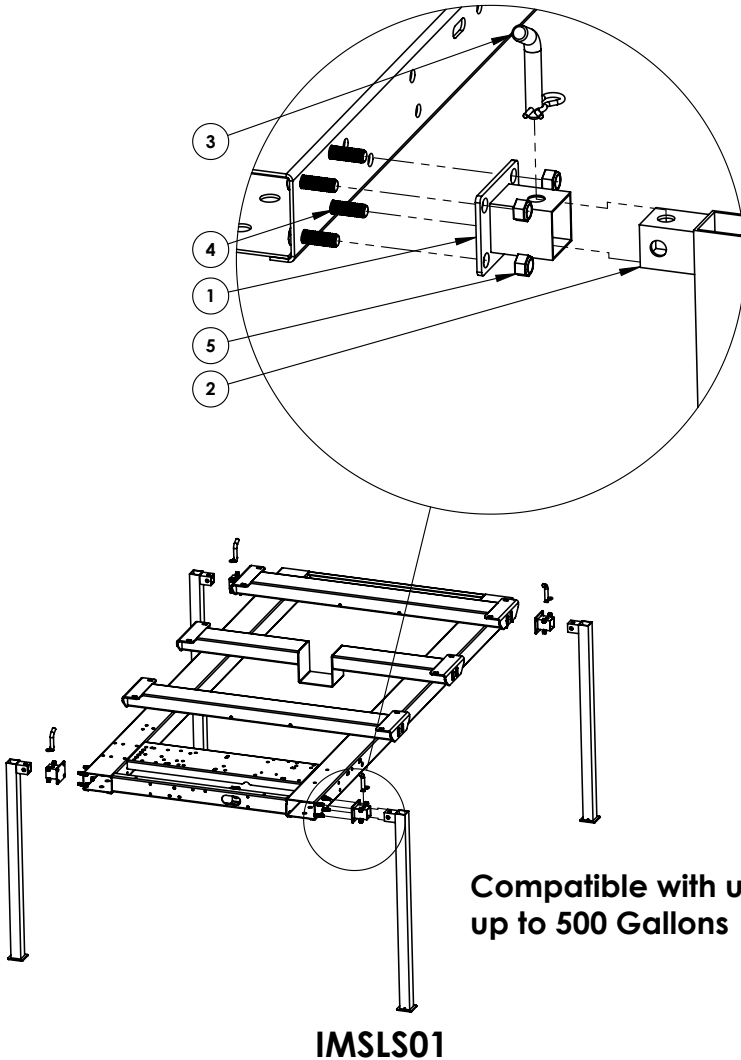


PARTS LIST

ITEM NO.	PART #	DESCRIPTION	QTY.
1	AMAH01GY	HR030/050 REEL ONLY	1
2	CFCC003	Clamp for 1/2" Hose	2
3	CPLF01	Heavy Duty Spray Gun STAL16-viton seals	1
4	CFRB06	1/4-3/8 BSP FEMALE ELBOW	1
5	CFRB07	STAINLESS PIPE 3/8 THREAD BOTH ENDS	1
6	CFRB08	3/8 X 1/4 BALL BEARING SWIVEL	1
7	CFRB09	1/4 MALE THREAD X 1/2 HOSE BARB	2
8	CFRH03C	PHENOIC TAPERED HANDLE	1
9	CHWZF105	1 SAE Flat Washer	1
10	CFBW04M04FB	.5 M BSP - .5 F NPT Heavy Duty Swivel	1
11	CFPS02M02B	1-2 MPT x 1-2 Hose Barb	1
12	CLUESB020002	1/2 EPDM HOSE - 50"	1
13	AZKH0018	Lock for Small Hose Reel	1
14	AZKH0003SS	3ASR03B HR FRAME 304 SS	1
15	AZKH0003	30-50 Base Mount HR Frame	1

LEGSTAND

ITEM NO.	Part #	DESCRIPTION	QTY.
1	AZKI001	IMS Leg Stand Sleeve	4
2	AZKI002	IMS Leg Stand Leg	4
3	CV722HP	5/8 x 3 Bent Hitch Pin	4
4	CHAS050723	1/2" x 1-1/2" Stainless Hex Bolt All Thread	16
5	CHNSN0533	1/2 Nylock Nut 304 SS	16



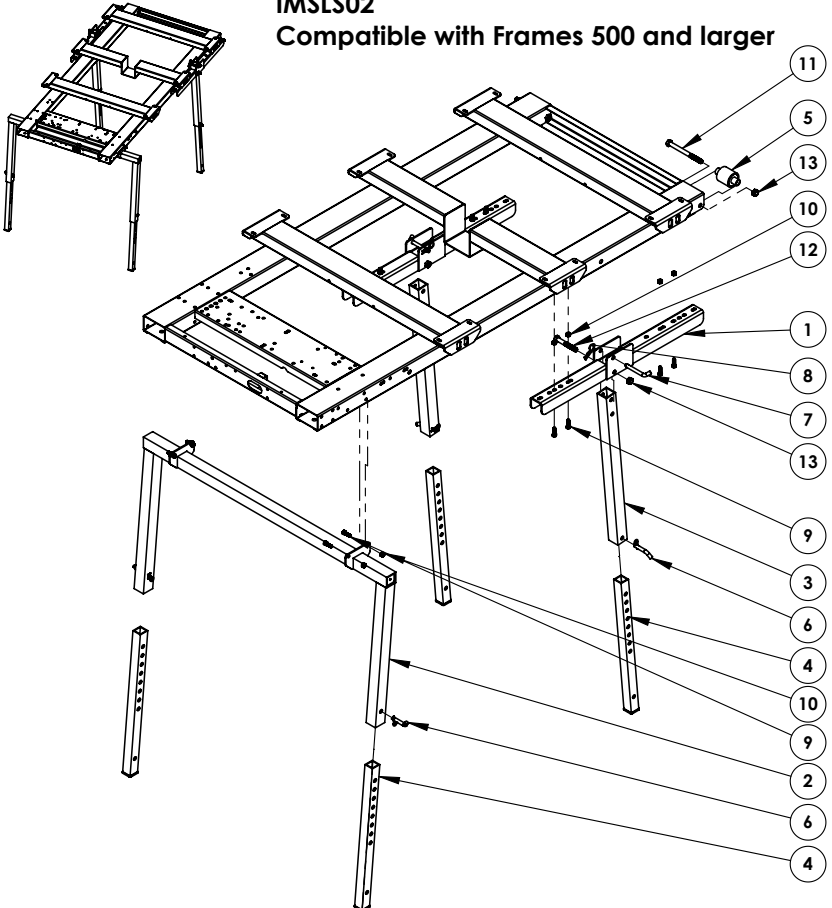
**Compatible with units
up to 500 Gallons**

SELF-LOADING LEGSTAND

ITEM NO.	Part #	DESCRIPTION	QTY.
1	AZKI003	Front Leg Bracket	2
2	AZKI005	Rear Bracket	1
3	AZKI004	Front upper leg	2
4	AZKI006	Bottom Leg	4
5	AZKIR001	Roller wheel for IMSLS02 Folding Leg Kit	2
6	CV722HP	5/8 x 3 Bent Hitch Pin	4
7	CHCS0617618	SS Bent-Pull Clevis Pin, 5/8" x 4 inch	2
8	CHKS0041418	18-8 Stainless Steel Hairpin Cotter Pin	2
9	CHAS050723	1/2" x 1-1/2" Stainless Hex Bolt All Thread	12
10	CHNSN0533	1/2 Nylock Nut 304 SS	12
11	CHBZ083525	8-1/2" zinc plated bolt	2
12	CHBS0821218	3/4" x 5" SS bolt	2
13	CHNSN08218	3/4" SS NYLON LOCK NUT 18-8(304)	4

IMSLS02

Compatible with Frames 500 and larger



ICE MASTER® T-SERIES

ACTIVATE YOUR 10-YEAR WARRANTY

How to Activate

To double your 5-year tank warranty,
visit www.camionsystems.com/warranty/
and register this product.



Watch Instruction Videos:
www.youtube.com

Discover More Helpful Tips:
www.icecontroltraining.com



CAMION®

by Enduraplas

1 (877) 265-9929

cs@camionsystems.com

www.camionsystems.com

113 1st Street, Nече

ND 58265, USA



Enduraplas®

A Brand By Enduraplas

Discover More Helpful Tips:

www.IceControlTraining.com