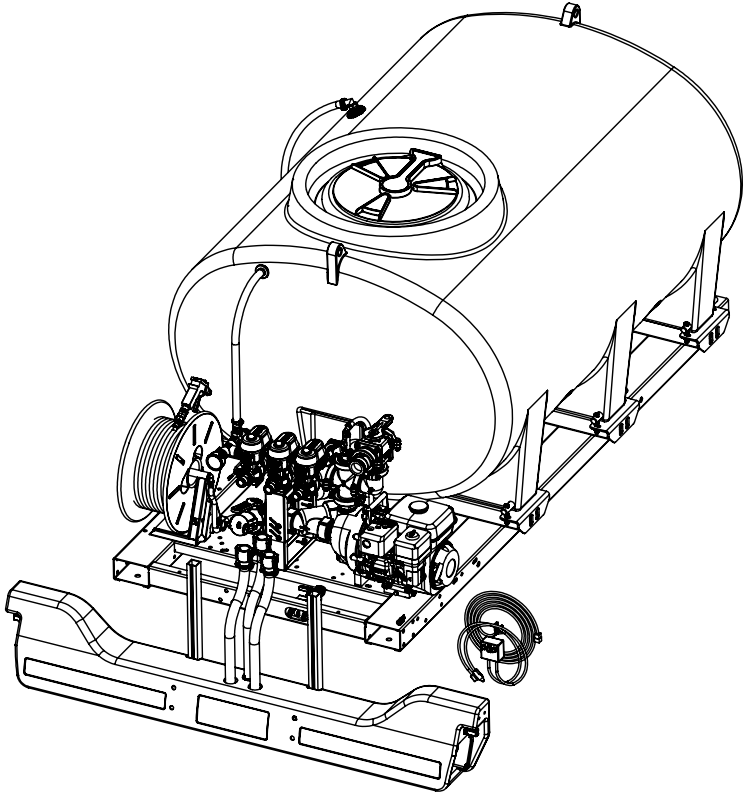


LIQUID MASTER® T-SERIES

OWNER'S MANUAL




Product Codes:

IMS250T160, IMS250T160E, IMS300T160, IMS300T160E,
IMS500T160, IMS500T160E, IMS500T160SS, IMS800T160,
IMS800T160E, IMS800T160SS, IMS1200T160, IMS1200T160E,
IMS1200T160SS, IMS1600T160, IMS1600T160E, IMS1600T160SS,
IMS1900T160, IMS2500T160, IMS2500T160E, IMS2500T160SS,
IMS3000T160, IMS3000T160E, IMS3000T160SS

Version 1.1

Copyright © Enduraplas. All Rights Reserved.

CONTENTS

INTRODUCTION	3
<hr/>	
WARNINGS 	4 & 5
<hr/>	
GETTING STARTED	6 - 15
<hr/>	
CALIBRATING	16 & 17
<hr/>	
MAINTAINING	18 & 19
<hr/>	
TROUBLESHOOTING	20 & 21
<hr/>	
WARRANTY	22 - 25
<hr/>	
PARTS BREAKDOWNS - LIQUID MASTER® T-SERIES	26 - 45

INTRODUCTION

Congratulations! You now own an ICE MASTER SYSTEMS sprayer. Durable design and construction assure you a lifetime of extreme performance. No sprayer is tougher. No sprayer will last longer.

Take a look through this owner's manual to learn how the pros use their ICE MASTER SYSTEMS sprayer.



Watch Instruction Videos:

www.youtube.com

Search 'ICE MASTER SYSTEMS'

Discover More Helpful Tips:

www.IceControlTraining.com

WARNINGS

1. Do not exceed vehicle manufacturers loading, towing or lifting specifications and regulations.
2. Ensure tank is firmly secured in an appropriate manner.
3. Use caution at all times, particularly when driving on rough terrain.
4. Comply with chemical manufacturers safety requirements and all relevant legislations.
5. **ALWAYS** keep tank tightly covered, to prevent children or animals from entering tank.
6. Tank is not fire resistant. **NEVER** expose it to open flame or heat.
7. Keep sharp objects from tank. Tank could be punctured and contents could escape and cause injury to persons or property.
8. This tank can be used only with polyethylene compatible liquids. If you are uncertain, ask chemical supplier if material can safely be stored in a polyethylene tank. **USE OF TANK WITH ANY OTHER MATERIAL COULD CAUSE TANK TO FAIL, RESULTING IN INJURY OR PROPERTY DAMAGE.**
9. **DO NOT MIX CHEMICALS. THIS CAN RESULT IN DAMAGE TO THE TANK OR NEARBY PERSONS OR PROPERTY.**
10. Clean out tank before changing chemicals **OTHERWISE A DANGEROUS MIXTURE OF CHEMICALS COULD CAUSE DAMAGE TO PERSONS, TANK OR PROPERTY.**
11. Regular service and maintenance is the Owner's responsibility and is a condition of your warranty.
12. **FAILURE TO COMPLY WITH ALL WARNINGS AND INSTALLATION INSTRUCTIONS WILL VOID WARRANTY.**

13. No modifications and/or alterations may be made to this sprayer. Any such modifications not only void the sprayer warranty but can make the unit dangerous to anyone operating the pump.
14. Always inspect hoses and piping to avoid burst injuries.
15. DO NOT turn suction valve off while pump is running.
NEVER RUN PUMP DRY.

COMPATIBLE LIQUIDS

Calcium Chloride Brine, Salt Brine and Premium Branded Liquids.

⚠ Caution: Brine that contain tacky substances or solid particles may clog pumps and nozzles. These are not recommended.

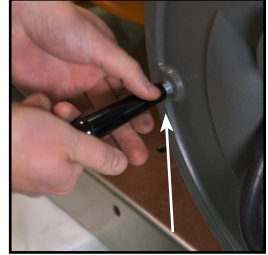
⚠ Warning: DO NOT USE any products that contain petroleum or petroleum by-products of any kind. These destroy seals and will void warranty.

Discover More Helpful Tips:
www.IceControlTraining.com

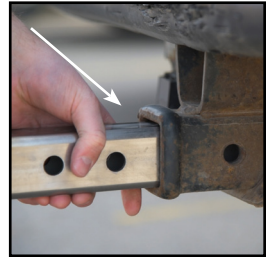
GETTING STARTED

Setting-up the Sprayer

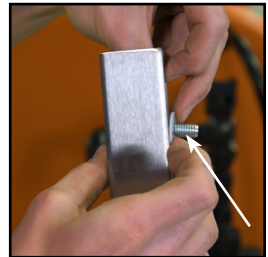
1) If you ordered the hose reel option, screw the hose reel handle into place.



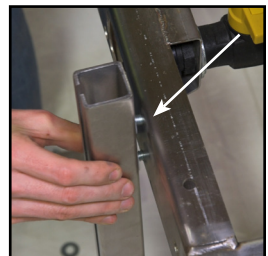
2) If you purchased an Enduraplas hitch mount boom for your Liquid Master® T-Series unit, you may hook this up to the hitch on your pickup.



3) If you wish to mount a boom, add the bolts and plastic washers to the two boom brackets.



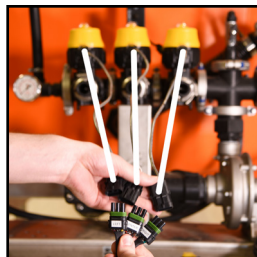
4) Connect the brackets to the frame and loosely secure them in order to mount your boom.



GETTING STARTED

Setting-up the Sprayer

5) Next you will need to connect the solenoid controller. Make sure to connect the matching left, right, center cables to the corresponding plugs as shown in the image.



6) If you ordered a light with your unit, plug it into the wire harness. If you did not order a light, then disregard the light plug.



7) Run the power cable up to your cab and connect it to your controller.



8) Then connect the controller to the power outlet in your cab.



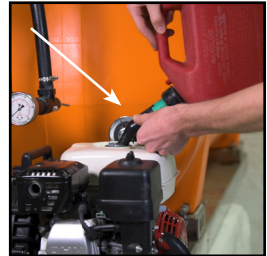
GETTING STARTED

Operating the Sprayer

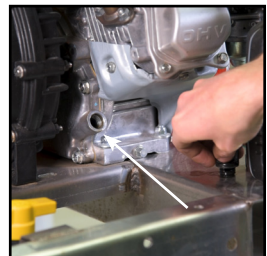
1) If you purchased a hydraulic unit, hook up your desired hydraulic hoses to the side ports on the sprayer



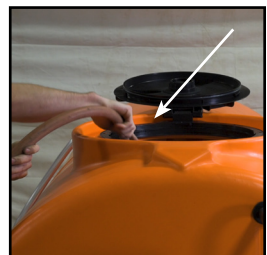
2) If you have a gas powered unit, fill the fuel tank on the engine with regular gasoline.



3) If you have a gas powered unit you will also need to remove the oil cap and fill the engine with 10-30 weight engine oil.

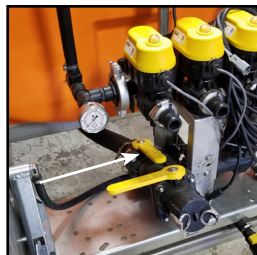


4) Fill the tank at least a quarter full of water.



GETTING STARTED**Operating the Sprayer**

5) You will need to prime the pump before using it. To do this open the suction valve between the tank and the pump.



6) Open the large three-way valve to allow re-circulation back into the tank.

**Important Tip:**

If you have the unit with the hydraulic pump it will prime automatically.

7) If you have an engine driven pump, open the top cap of the pump and fill the pump with water. Before starting the engine make sure both the drain plug and prime plug are tightened securely to properly hold the sealing O-rings in place.



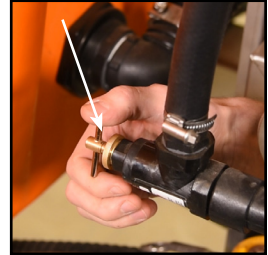
GETTING STARTED

Operating the Sprayer

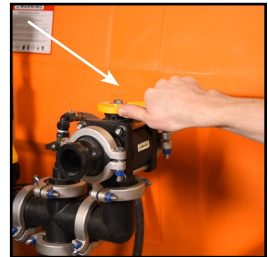
8) Start the engine, and increase the RPM's, and check that water is recirculating back to the tank. Your pump should now be primed.



9) Before closing the large return valve, make sure the gold pressure regulator is fully open by turning it counter clockwise. This is to avoid premature wear or damage to the pump.



10) Once the pressure regulator is fully open, you may close the large return valve, and then set the pressure to your desired setting.

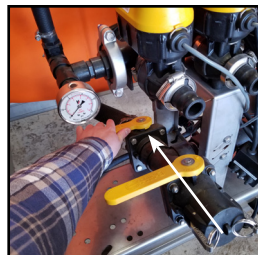


Pro Tip:

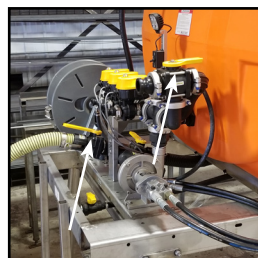
Avoid setting the pressure too high. Make sure there is always some liquid recirculating back into the tank to prevent shortening the life of the pump.

GETTING STARTED**Operating the Sprayer**

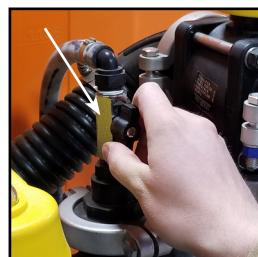
11) If you wish to fill the tank from an external source, close the suction valve between the tank and the pump.



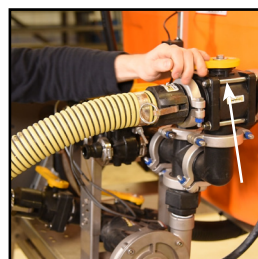
12) Make sure the large re-circulation valve is open (facing toward the tank) as well as the external fill valve. Then when your pump is started it will suck liquid straight into the tank.



13) To use the spray gun, ensure the valve to the hose reel is in the open position.



14) To drain your tank, open the suction valve, turning the 3-way valve to the “pump out” position, and turning on your pump.



GETTING STARTED

Installing the GPS Unit

1) First unpack the road master controller from the box and assemble the controller (a video of this can be found on the Ice Master Systems® YouTube channel).



2) Plug in the right, left, and centre controls on your sprayer as shown in the image.



3) Plug in your flow meter using the locking extension.

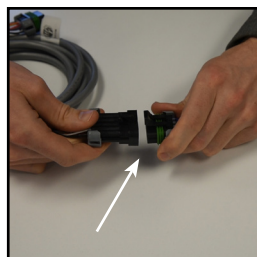


4) Plug in your servo valve control.

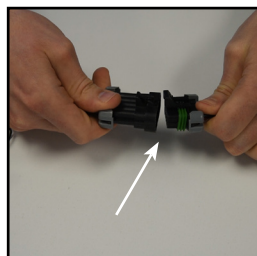


GETTING STARTED**Installing the GPS Unit**

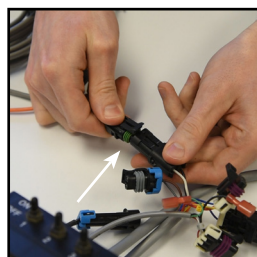
5) Plug the control harness into the extension cable.



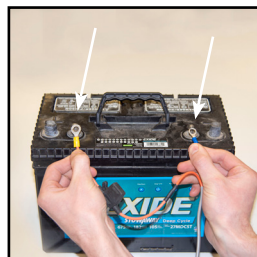
6) Run the extension cable up to your cab and plug it into the controller.



7) Plug the controller into your battery cable.



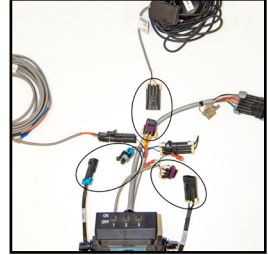
8) Hook up the ring terminals to your battery.



GETTING STARTED

Installing the GPS Unit

9) Plug in the remaining connections as shown in the image.



10) Place the magnetic GPS unit on the top of your cab.

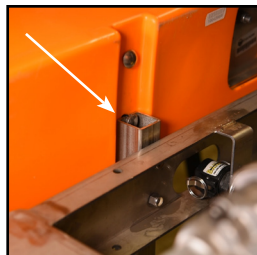


Pro Tip:

For video instructions on the controller interface visit the Ice Master Systems® YouTube channel.

GETTING STARTED**Connecting the Boom**

1) Slide the boom on to the quick attach brackets.



2) Tighten the hardware making sure the square neck on the carriage bolt is fully inserted through the slot.



3) Take the hose, connect it to its fitting, and tighten it using the camlock.



4) Once the boom is secure, tighten the hardware on the boom brackets to make sure they are also secure.



CALIBRATING

Note: Always double check your application rates.
The rate/acre listed is only based off the center section
(not the two side nozzles)

NOZZLE COLOR	PSI	CAPACITY ONE NOZZLE IN GPM	4 MPH	6 MPH	8 MPH	10 MPH
Stainless Steel	10	2.00	247	165	124	99
	20	2.83	350	233	175	140
	30	3.46	428	285	214	171
	40	4.00	495	330	247	198
White	20	0.56	69	46	35	28
	30	0.72	89	59	45	36
	40	0.80	99	66	50	40
	50	0.88	109	73	54	44
Black	15	1.22	151	101	75	60
	20	1.41	174	116	87	70
	30	1.73	214	143	107	86
	40	2.00	247	165	124	99

GPM = Gallons Per Minute

GPA = Gallons Per Acre

GAL/1000 FT = Gallons Per 1000 Square Feet

W = Nozzle spacing

Gallons Per Minute Formula:

$$\frac{\text{GPA} \times \text{MPH} \times \text{W (per nozzle)}}{5,940}$$

Gallons Per Minute Formula:

$$\frac{\text{GAL}/1000\text{FT} \times \text{MPH} \times \text{W (per nozzle)}}{136}$$

Gallons Per Acre Formula:

$$\frac{5,940 \times \text{GPM (per nozzle)}}{\text{MPH} \times \text{W}}$$

Gallons Per 1000 Square Feet:

$$\frac{136 \times \text{GPM (per nozzle)}}{\text{MPH} \times \text{W}}$$

Convert Acres to Lane Mile:

$$1.4545 = 1 \text{ Lane Mile}$$

Note: For video instructions on how to calibrate a boom visit
<http://bit.ly/IMS-boom-calibration>

MAINTAINING

Keeping your sprayer in good condition will help you lengthen the life of the sprayer. Everyone knows a well maintained piece of equipment ensures a longer life span. Sprayer maintenance can seem a huge task if you don't have the right tools.



Watch Instruction Videos:

www.youtube.com

Search 'ICE MASTER SYSTEMS'

Discover More Helpful Tips:

www.icecontroltraining.com

	Before starting work	At the end of work and/or daily	Weekly or every 40 operating hours	After the first 5 operating hours	Every 250 operating hours or once a year	If damaged	If required
<p>The information applies in normal operating conditions. The specific intervals must be shortened accordingly for longer daily working hours. If the machine is only used occasionally, the intervals can be extended accordingly.</p>	Visual inspection (condition, leaks)	X					
	Clean						
	Clean		X				
	Drain		X				
	Clean		X				X
	Clean						X
	Replace					X	
	Retighten						X
	Replace						X
Maintain							
Read and follow all maintenance and care instructions in the Pump manual.							

TROUBLESHOOTING

CONDITION	CAUSE	REMEDY
Pump will not prime	1) Air leak on suction plumbing 2) Blocked/Restricted intake hose 3) Filter cap disengaged 3) Filter gasket damaged/missing	1) Tighten/replace fittings & hose clamps. Verify suction hoses are in good condition 2) Remove blockage from suction line, ensure line is not kinked 3) Lock filter cap into position 4) Replace filter gasket
Pressure drops/ fluctuates during standard operation	1) Restriction on suction line 2) Pump sucking air 3) Plugged filter 4) Damaged regulator	1) Inspect tank and suction lines and remove restriction 2) Tighten fittings 3) Remove and clean filter mesh and housing 4) Remove regulator stem and inspect for broken parts/pieces

CONDITION	CAUSE	REMEDY
Pressure gauge not registering	1) Plugged with debris	1) Un-thread, check and clean pressure gauge
Hand gun loses pressure	1) Debris in hose or nozzle 2) Pump losing prime 3) Pump pressure dropping/fluctuating	1) Un-thread nozzle tip and clean 2) See Remedy for 'Pump will not prime or loses prime' 3) See Remedy for 'Pressure drops/ fluctuates during standard operation'



Watch Instruction Videos:

www.youtube.com

Search 'ICE MASTER SYSTEMS'

Discover More Helpful Tips:

www.IceControlTraining.com

WARRANTY

1. Poly Tank Limited Warranty - Subject to other terms in this Limited Warranty, Manufacturer warrants to the original end user that this Tank will be free from material defects caused during the manufacturing process for a period of 5 years from the Purchase Date provided such warranty to the original end user shall be extended to 10 years from the Purchase Date if the original end user registers the Tank with Manufacturer within 30 days of the Purchase Date. To register the Limited Warranty, registration must be completed in accordance with the requirements set forth at enduraplaswarranty.com

Other Products and Parts Limited Warranty - Subject to other terms in this Limited Warranty, Manufacturer warrants to the original end user that products and parts manufactured by Manufacturer (other than tanks) will be free from material defects caused during the manufacturing process for a period of 1 year from the Purchase Date unless otherwise expressly stated in writing by Manufacturer that an extended warranty applies.

2. Other Warranties Disclaimed and Excluded

THERE ARE NO WARRANTIES, EXPRESS OR IMPLIED, WHICH EXTEND BEYOND THE LIMITED WARRANTY HEREIN STATED, AND MANUFACTURER EXPLICITLY DISCLAIMS AND EXCLUDES ANY AND ALL OTHER WARRANTIES INCLUDING BUT NOT LIMITED TO WARRANTIES OF MERCHANTABILITY, FITNESS FOR PARTICULAR PURPOSE, CUSTOM OR USAGE OF TRADE, AND COURSE OF DEALING. NO AGENT, EMPLOYEE OR REPRESENTATIVE OF MANUFACTURER HAS AUTHORITY TO BIND MANUFACTURER TO ANY REPRESENTATION OR WARRANTY EXCEPT AS STATED IN THIS LIMITED WARRANTY.

3. Limitation of Liability under the Limited Warranty - In addition to those warranties disclaimed and excluded in clause 2 above, Manufacturer expressly further limits its warranty and liability under the Limited Warranty as set forth below in this clause 3.
- 3.1. The liability of Manufacturer under this Limited Warranty is excluded to the extent that any defect has been caused or contributed to by:
- a) any accident, contamination, tampering, willful damage, abuse, modification, improper storage, improper use (including but without limitation the storage of material) or negligent act of, or omission by, any person other than Manufacturer;
 - b) the improper installation of the Goods, or deterioration of the base on which any of the Goods rest or are mounted to;
 - c) any damage to the Goods caused by storm, wash away, landslide, mudslide, lightning, or any other natural phenomenon, vermin or other pests, and any undermining of the base of the Tank through any cause whatsoever;
 - d) the repositioning of the Goods from their original installation;
 - e) weathering or degradation of the Goods due to extreme climatic conditions;
 - f) improper installation of extra fittings;
 - g) any staining or discoloration, including from trees or ash fall-out from fires or other causes;
 - h) a Tank not being placed on a base that is free of any protruding objects of any kind;
 - i) a Tank being used for any purpose other than the storage of suitable liquids at the ambient temperatures.

3.2. Without limiting the generality of clause 3.1:

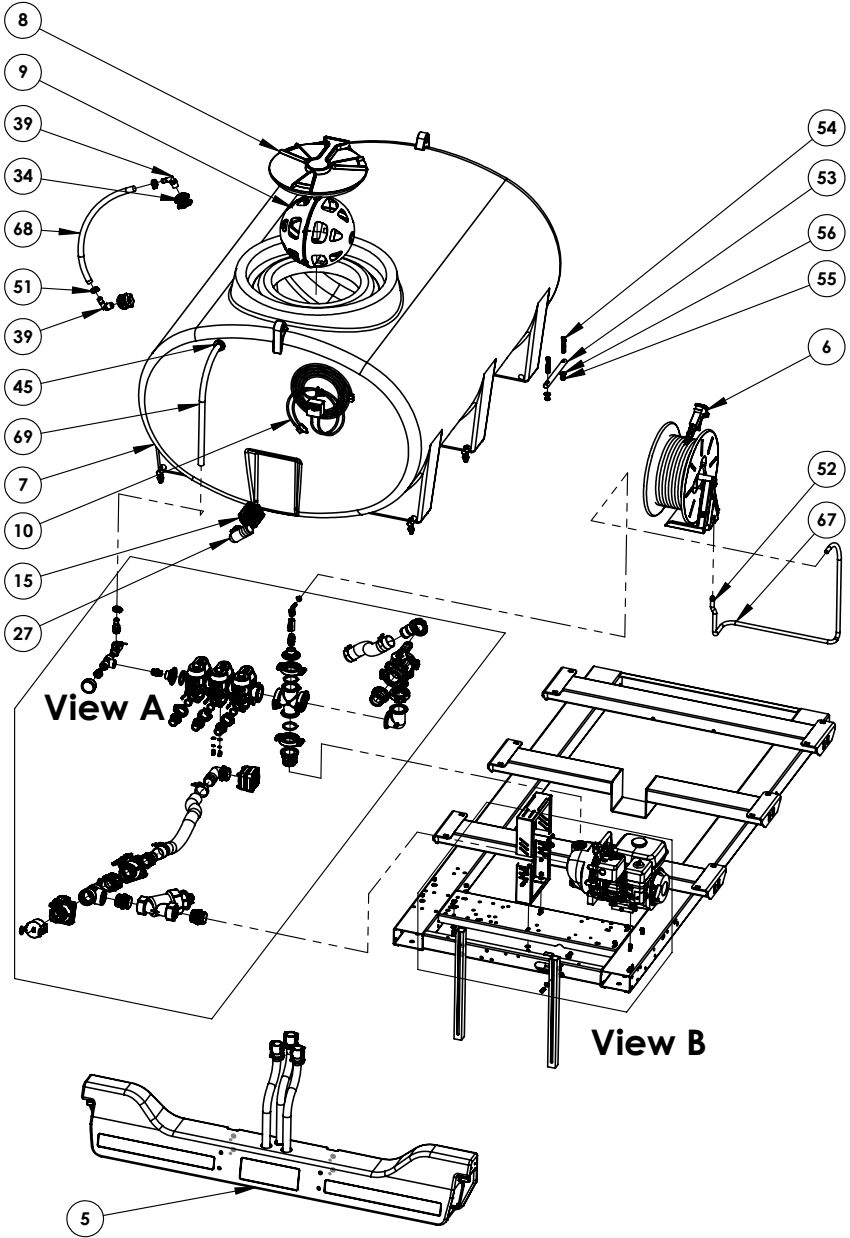
- a) Manufacturer will not be liable for any personal injury, indirect or incidental damages, consequential losses, loss of liquids, loss of profit or any like claims whatsoever arising from any use of, or incidental to, or repairs to any of the Goods by a party other than Manufacturer;
- b) to the extent that any component or material (including, but without limitation the polyethylene) used in the manufacture of any of the Goods is supplied and/or manufactured by a third party, the liability of Manufacturer is limited to Manufacturer's right of redress (if any) against the third-party supplier/manufacturer;
- c) Tanks feature a vented lid at the time of manufacture. Any subsequent pressurization of the Tank by removing the vent, sealing the vent, or otherwise will cause this Limited Warranty as to such Tank to be null and void.
- d) The liability of Manufacturer under this Limited Warranty is limited to, at Manufacturer's discretion:
- e) providing a replacement Good (including shipping but excluding other replacement costs);
- f) refunding an amount equal to a sum equal to the current Retail price divided by the months in the warranty, multiplied by the months remaining in the warranty period;
- g) repairing the Good at no cost.

4. Proof of Purchase - The original invoice or other similar proof of purchase of the applicable must be provided by Purchaser to Manufacturer when making a claim under this Limited Warranty. Warranty claims must be received in writing by Manufacturer within the Limited Warranty period.

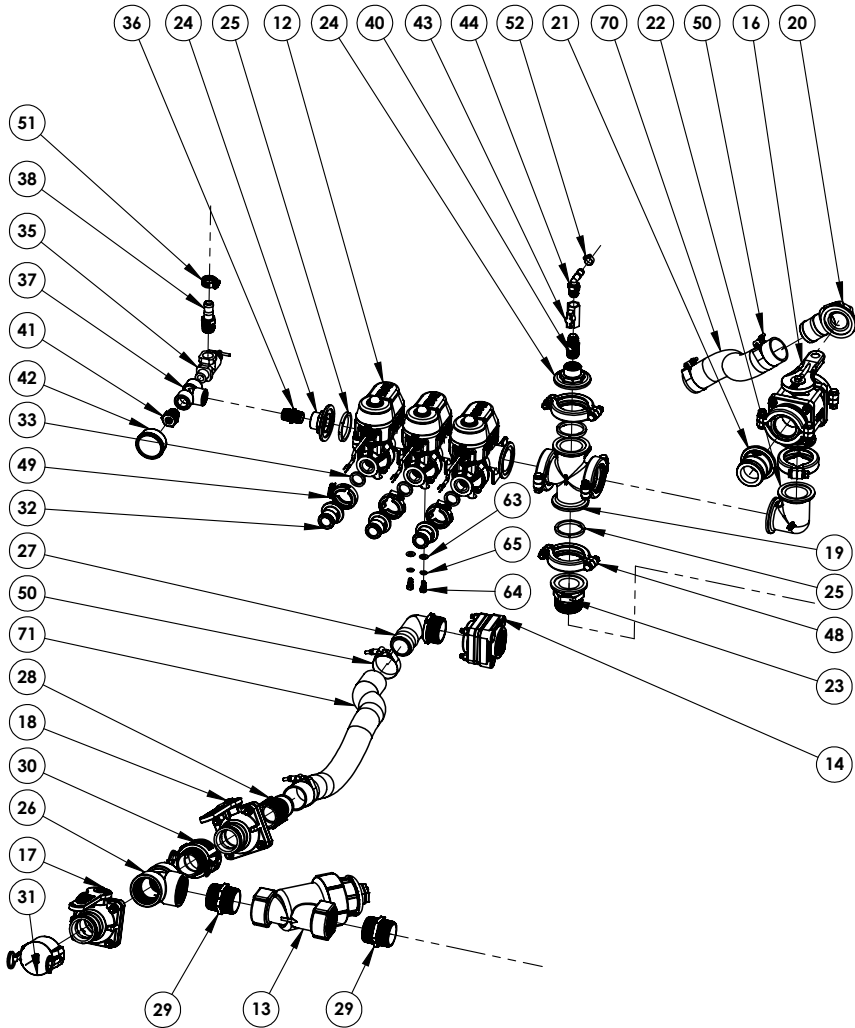
5. Claims and Questions - If you have questions about this Limited Warranty or to make a warranty claim, contact Manufacturer at: customercare@enduraplas.com
6. Definitions - For this Limited Warranty the following definitions apply:
 - a) Manufacturer means Enduraplas LLC.
 - b) Purchase Date means the date upon which the applicable goods were purchased by the original end user.
 - c) Purchase Price means the actual price paid for the Tank by the original Purchaser.
 - d) Tank means the storage Tank manufactured by Manufacturer and purchased by the original end user Purchaser being the subject matter of the Limited Warranty.
 - e) Good(s) mean Tanks and/or other products or parts manufactured by Enduraplas LLC.
 - f) Limited Warranty means this written Limited Warranty.
7. State Law - Some states do not allow the exclusion or limitation of incidental or consequential damages, so the above limitation and exclusion may not apply to certain parties. Some states do not allow limitation on how long an implied warranty lasts, so the above limitation may not apply to certain parties. This limited warranty gives specific legal rights and other rights, which vary from state to state, may also apply.
8. Governing Law - This Limited Warranty will be governed by the laws of the State of Minnesota, without giving effect to any choice of law rule that would cause the application of the laws of any other jurisdiction.

OVERVIEW

LIQUID MASTER® T-SERIES



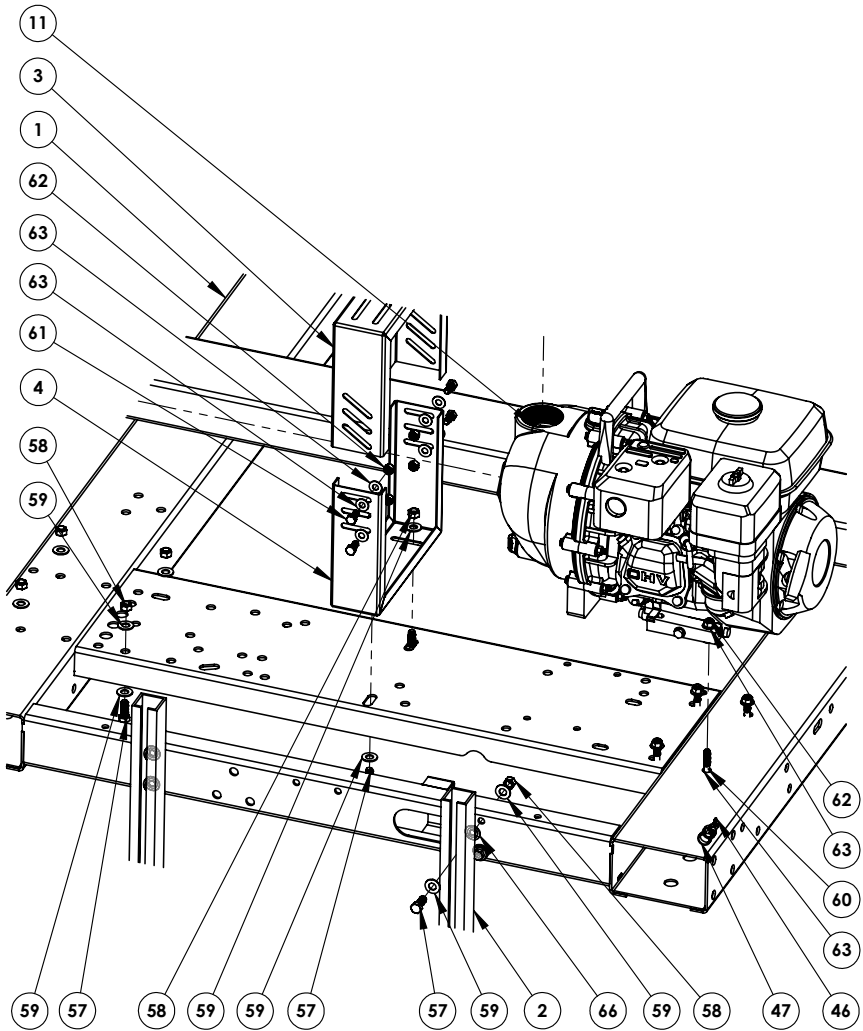
DETAIL VIEW A



LIQUID MASTER® T-SERIES

DETAIL VIEW B

LIQUID MASTER® T-SERIES



PARTS LIST

ITEM NO.	Part #	DESCRIPTION	QTY.
1	AZFP0300	300-400Gal Fire/ProMaster Frame	1
2	AZKB0005SS	23.75" Stainless Steel Adj. Boom Bracket	2
3	AZKR0019	Deicing Valve Bracket Top	1
4	AZKF0021	Deicing Valve Bracket Base	1
5	IMS88	Poly Ice Control Boom 8 Nozzle	1
6	CPA0100	Ice Master Base Mount Hose Reel	1
7	THD00500OE-NF	500 Gal Sump Bot Tank	1
8	CFLP16HV	16 inch Hypro Lid Hinged	1
9	AVB355	STBBS35 Lg Baffle Ball	46
10	CEWCIM04	IM Wire Harness-E Series	1
11	CB200PH5	2 Poly Banjo Pump 5.5 HP Recoil Honda	1
12	CBMEVX103	3- Bank Electric Valve Control	1
13	CBSL20020	2 LINE STRAINER 20 MESH SCREEN	1
14	CBBF235	2" Bolted Tank Flange	1
15	CBTF200	2 Poly Tank Flange Assembly	1
16	CBMV220BLSH	2" FP Bot Load Manifold Valve w/ SH Handle	1
17	CBVSFMT204FP	2 FP MALE ADAPTER X 2 MALE NPT THREADS	1
18	CBVSF204FP	2 Full Port Male Adapter x Fml NPT Thrds	1
19	CBM220CR	2 IN Full Port Flanged Cross	1
20	CBM220BRBSWP90	2 Full Port Flange x Hose Shank Sweep	1
21	CBM220A	2 IN FP Male Adapter x 2 IN Manifold	1
22	CBM220CPG90	2" Full Port x 2" Full Port Manifold Coupling 90°	1
23	CBM220MPT	2 FP Manifold x 2 Male Thread	1
24	CBM220PLG075	2 Full Port Flange Plug 3/4 Female Thread	2
25	CBM221G	2 FP Manifold Gasket with Rib	8
26	CBTEE200	2" Poly Pipe Tee	1
27	CBHB20090	2 Male Thread x 2 hose Shank 90	2
28	CBHB200	2 Male Thread x 2 Hose Shank	1
29	CBNIP200SH	2 x Short Poly Nipple	2
30	CB200B	Female coupler to male thread	1
31	CB200CAP	2 Cap	1
32	CBM100A	1 inch Flange x 1 inch Male Adapter	3
33	CBM100G	1 IN EPDM Gasket for Manifold	3
34	CBTF075	3/4 inch Poly Tank Fitting	2
35	CVRV20660158	.75 Pressure Relief Valve	1
36	CFPN04M04M	3/4 Short Nipple	1
37	CBTEE075	3/4 Poly Pipe Tee	1
38	CFPS04M04B	3/4 Male thread to 3/4 hose shank	1
39	CFPE04M04B	.75 Male Thread x .75 Hose Barb 90	2
40	CBRN075050	Reducer Nipple .75-.5	1
41	CBRB075025	.75 x .25 FPT Reducer Bushing	1
42	CV2241GXH100	Pressure gauge 100psi Glycerin filled	1
43	CVS34DX1	.5 FIP x .5 FIP T-Handle Ball Valve	1
44	CBHB05090	1/2 Male Thread x 1/2 Hose Shank 90	1

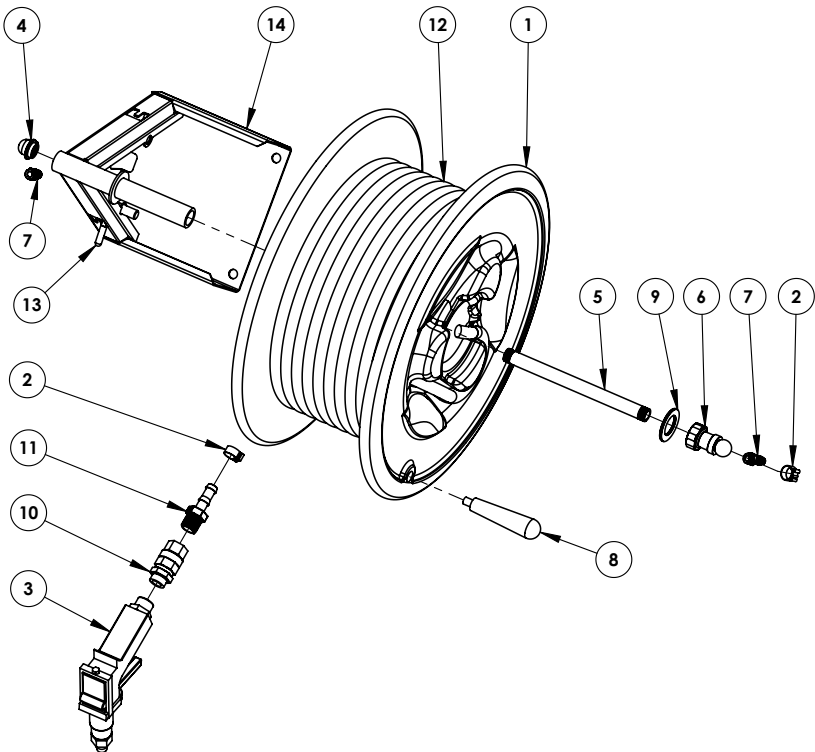
PARTS LIST

ITEM NO.	Part #	DESCRIPTION	QTY.
45	CPFG15	3/4 Press fit hose grommet	1
46	CXT0001	Cable Tie 14"	1
47	CXSC0002	Cable Tie 8"	1
48	CBFC220B	2 Bolted SS Flange Clamp	8
49	CBFC100	1 IN Worm Screw Clamp	3
50	CBTC231	2" T-Bolt Hose Clamp 2.31 MIN	4
51	CFCW001	Clamp for 3/4 hose	3
52	CFCC003	Clamp for 1/2" Hose	2
53	AZP03SS	15-16 x 10" SS tie down pin	6
54	CHBS041323	7/16 x 3 Stainless Steel Bolt	12
55	CHNZN0425	7/16 Nylock Nut	12
56	CHWZF045	7/16 flat washer	12
57	CHBS030523	3-8 x 1 SS Hex Bolt	10
58	CHNZN0325	3/8 Stainless Nylock nut	10
59	CHWSF033	3/8 SS flat washer	20
60	CHBS020723	5/16" x 1-1/2" SS Bolt	4
61	CHBS020323	5-16 x .75 SS Bolt	4
62	CHNSN0223	5-16 SS Nyloc Nut	8
63	CHWSF023	5-16 SS FLAT WASHER	18
64	CHBS8014083	M8 x 20 MM SS hex bolt	2
65	CHWSL8083	18-8 SS LOCK WASHER	2
66	CHWNR03	Self retaining washer for 3/8 and M9	4
67	CLUESB020002	1/2" hose (to hose reel)	1
68	CLUVGC03504	.75 Site Gauge Hose	1
69	CLUESB020004	3/4" hose (tank return)	1
70	CLUPEB10009	2" hose (tank return)	1
71	CLUPEB10009	2" hose (tank to pump)	1

LIQUID MASTER® T-SERIES

PARTS LIST

ITEM NO.	PART #	DESCRIPTION	QTY.
1	AMAH01GY	HR030/050 REEL ONLY	1
2	CFCC003	Clamp for 1/2" Hose	2
3	CPLF01	Heavy Duty Spray Gun STAL16-viton seals	1
4	CFRB06	1/4-3/8 BSP FEMALE ELBOW	1
5	CFRB07	STAINLESS PIPE 3/8 THREAD BOTH ENDS	1
6	CFRB08	3/8 X 1/4 BALL BEARING SWIVEL	1
7	CFRB09	1/4 MALE THREAD X 1/2 HOSE BARB	2
8	CFRH03C	PHENOIC TAPERED HANDLE	1
9	CHWZF105	1 SAE Flat Washer	1
10	CFBW04M04FB	.5 M BSP - .5 F NPT Heavy Duty Swivel	1
11	CFPS02M02B	1-2 MPT x 1-2 Hose Barb	1
12	CLUESB020002	1/2 EPDM HOSE	1
13	AZKH0018	Lock for Small Hose Reel	1
14	AZKH0003SS	3ASR03B HR FRAME 304 SS	1

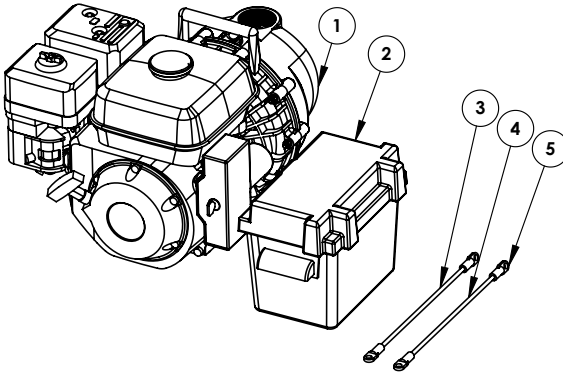


Deicing Hose Reel

LIQUID MASTER® T-SERIES

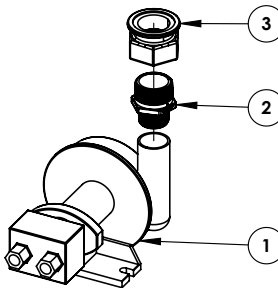
PARTS LIST

ITEM NO.	Part #	DESCRIPTION	QTY.
1	CB200PH5E	2 inch Poly Pump with 5.5HP Honda Engine Electric Start	1
2	CTEW037	Battery Box, Polypropylene, for U1 Battery Size	1
3	CTEW017	Battery Cable - 4GA. Black	1
4	CTEW016	Battery Cable - 4GA. Red	1
5	CTEW018	Battery Terminal - Standard Lug Plated	4



Pump Components for Electric Start Unit

ITEM NO.	Part #	DESCRIPTION	QTY.
1	APDC09HS	SS Hydraulic pump	1
2	CBRN200150	2" x 1.5" Reducer Nipple	1
3	CBM220FPT	2 IN FP Manifold x 2 IN Female Thread	1



Pump Components for Hydraulic Unit



Watch Instruction Videos:

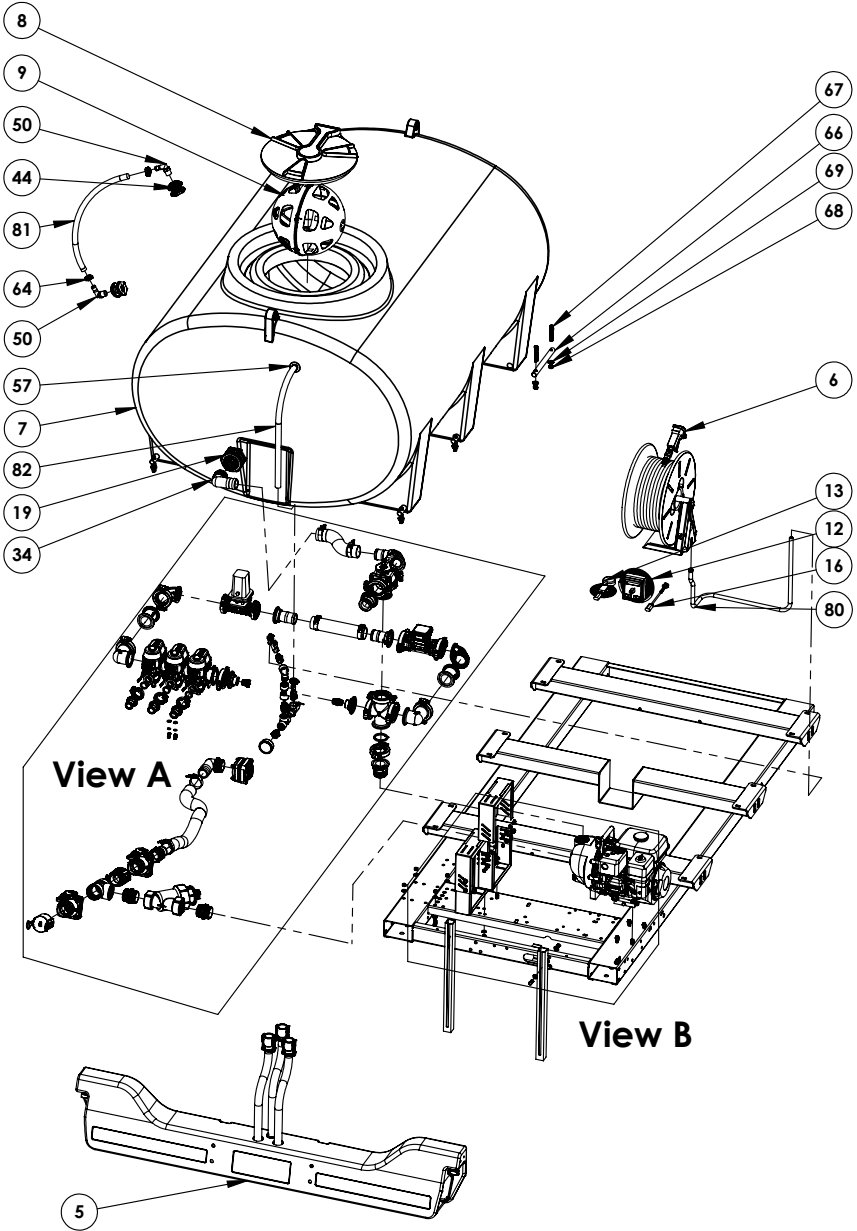
www.youtube.com

Search 'ICE MASTER SYSTEMS'

Discover More Helpful Tips:

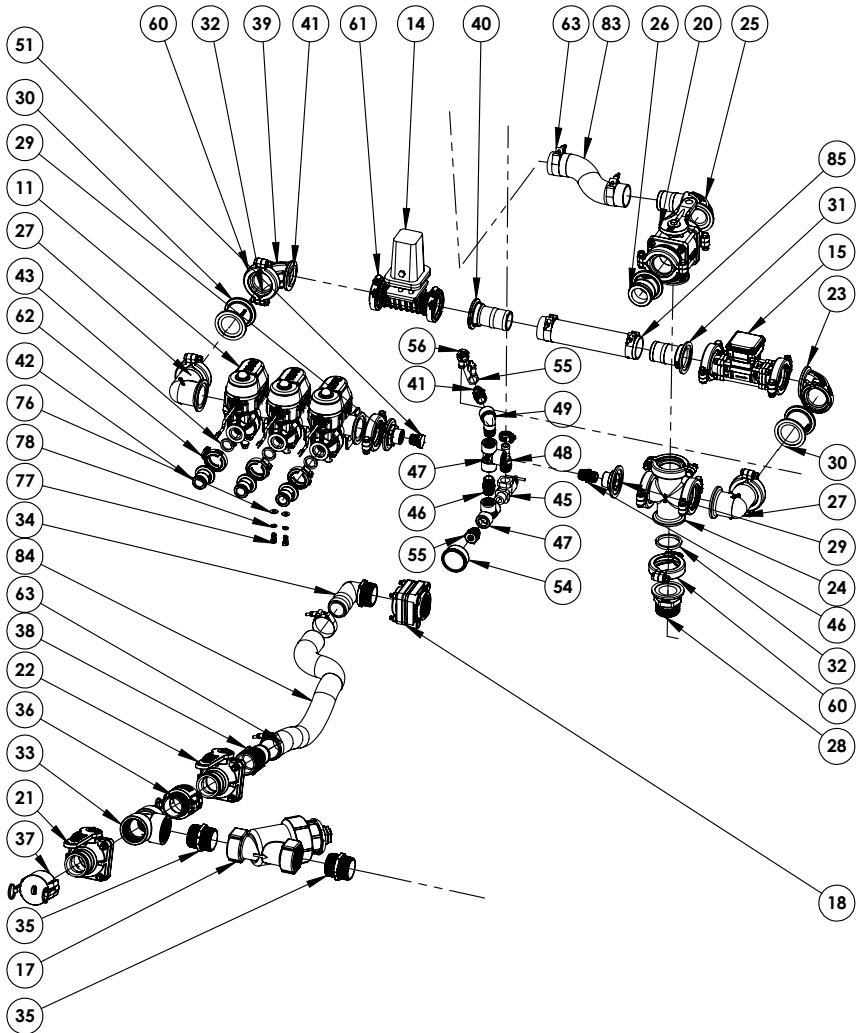
www.IceControlTraining.com

OVERVIEW WITH GPS UNIT



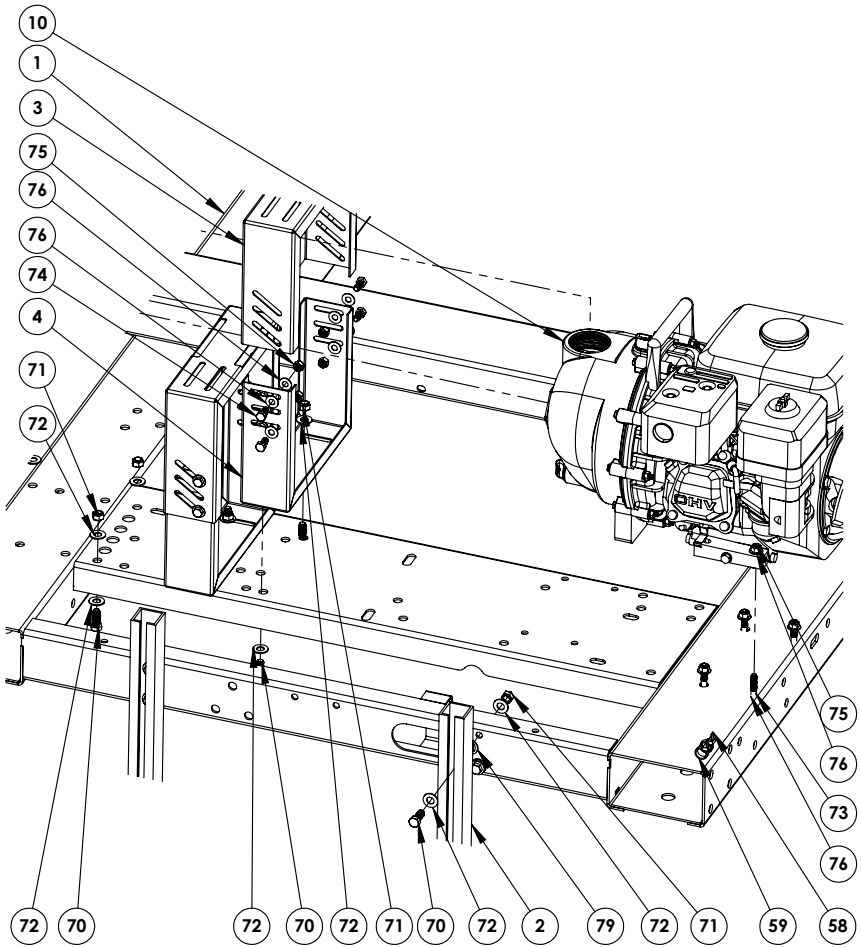
LIQUID MASTER® T-SERIES

DETAIL VIEW A



DETAIL VIEW B

LIQUID MASTER® T-SERIES



PARTS LIST

ITEM NO.	Part #	DESCRIPTION	QTY.
1	AZFPM0300	300-400Gal Fire/ProMaster Frame	1
2	AZKB0005SS	23.75" Stainless Steel Adj. Boom Bracket	2
3	AZKR0019	Deicing Valve Bracket Top	2
4	AZKF0021	Deicing Valve Bracket Base	2
5	IMS88	Poly Ice Control Boom 8 Nozzle	1
6	CPA0100	Ice Master Base Mount Hose Reel	1
7	THD00500OE-NF	500 Gal Sump Bot Tank	1
8	CFLP16HV	16 inch Hypro Lid Hinged	1
9	AVB355	STBBS35 Lg Baffle Ball	46
10	CB200PH5	2 Poly Banjo Pump 5.5 HP Recoil Honda	1
11	CBMEVX103	3- Bank Electric Valve Control	1
12	CEC004	Roadmaster Controller Unit	1
13	CEC005	Astro 5 GPS Unit	1
14	CEC006	Flanged Servo Valve	1
15	CA46221A58787	Electro-Magnetic Flowmeter with 2 inch Full Port	1
16	CEC007	Magnetic Flow Meter Adaptor Cable	1
17	CBLS20020	2 LINE STRAINER 20 MESH SCREEN	1
18	CBBF235	2" Bolted Tank Flange	1
19	CBTF200	2 Poly Tank Flange Assembly	1
20	CBMV220BLSH	2" FP Bot Load Manifold Valve w/ SH Handle	1
21	CBVSFMT204FP	2 FP MALE ADAPTER X 2 MALE NPT THREADS	1
22	CBVSF204FP	2 Full Port Male Adapter x Fml NPT Thrds	1
23	CBM220SWP90	2FP x 2FP Manifold sweep 90	1
24	CBM220CR	2 IN Full Port Flanged Cross	1
25	CBM220BRBSWP90	2 Full Port Flange x Hose Shank Sweep	1
26	CBM220A	2 IN FP Male Adapter x 2 IN Manifold	1
27	CBM220CPG90	2" Full Port x 2" Full Port Manifold Coupling 90°	2
28	CBM220MPT	2 FP Manifold x 2 Male Thread	1
29	CBM220PLG075	2 Full Port Flange Plug 3/4 Female Thread	2
30	CBM220CPG	2 x 2 Full Port Flange	2
31	CBM220BRB	2 Full Port Flange x 2 Hose Barb	1
32	CBM221G	2 FP Manifold Gasket with Rib	14
33	CBTEE200	2" Poly Pipe Tee	1
34	CBHB20090	2 Male Thread x 2 hose Shank 90	2
35	CBNIP200SH	2 x Short Poly Nipple	2
36	CB200B	Female coupler to male thread	1
37	CB200CAP	2 Cap	1
38	CBHB200	2 Male Thread x 2 Hose Shank	1
39	CBM220200SWP90	220FP x 200 Manifold sweep 90	1
40	CBM200BRB	2 inch Manifold Barb	1
41	CBM201G	2 inch Manifold Gasket with Rib EPDM	2
42	CBM100A	1 inch Flange x 1 inch Male Adapter	3
43	CBM100G	1 IN EPDM Gasket for Manifold	3
44	CBTF075	3/4 inch Poly Tank Fitting	2
45	CVRV20660158	.75 Pressure Relief Valve	1

PARTS LIST

ITEM NO.	Part #	DESCRIPTION	QTY.
46	CFPN04M04M	3/4 Short Nipple	2
47	CBTEE075	3/4 Poly Pipe Tee	2
48	CFPS04M04B	3/4 Male thread to 3/4 hose shank	1
49	CBSL07590	3/4 Poly Street Elbow 90	1
50	CFPE04M04B	.75 Male Thread x .75 Hose Barb 90	2
51	CBPLUG075	3/4 Poly Pipe Plug	1
41	CBRN075050	Reducer Nipple .75-.5	1
55	CBRB075025	.75 x .25 FPT Reducer Bushing	1
54	CV2241GXB100	Pressure gauge 100psi Glycerin filled	1
55	CVS34DX1	.5 FIP x .5 FIP T-Handle Ball Valve	1
56	CBHB05090	1/2 Male Thread x 1/2 Hose Shank 90	1
57	CPFG15	3/4 Press fit hose grommet	1
58	CXT0001	Cable Tie 14"	1
59	CXSC0002	Cable Tie 8"	1
60	CBFC2208	2 Bolted SS Flange Clamp	13
61	CBFC200	2 SS Flange Worm Screw Clamp	3
62	CBFC100	1 IN Worm Screw Clamp	3
63	CBTC231	2" T-Bolt Hose Clamp 2.31 MIN	6
64	CFCW001	Clamp for 3/4 hose	3
65	CFCC003	Clamp for 1/2" Hose	2
66	AZP03SS	15-16 x 10" SS tie down pin	6
67	CHBS041323	7/16 x 3 Stainless Steel Bolt	12
68	CHNZN0425	7/16 Nylock Nut	12
69	CHWZF045	7/16 flat washer	12
70	CHBS030523	3-8 x 1 SS Hex Bolt	12
71	CHNZN0325	3/8 Stainless Nylock nut	12
72	CHWSF033	3/8 SS flat washer	24
73	CHBS020723	5/16" x 1-1/2" SS Bolt	4
74	CHBS020323	5-16 x .75 SS Bolt	8
75	CHNSN0223	5-16 SS Nyloc Nut	12
76	CHWSF023	5-16 SS FLAT WASHER	28
77	CHBS8014083	M8 x 20 MM SS hex bolt	4
78	CHWSL8083	18-8 SS LOCK WASHER	4
79	CHWNR03	Self retaining washer for 3/8 and M9	4
80	CLUESB020002	1/2" hose (to hose reel)	1
81	CLUVGC03504	.75 Site Gauge Hose	1
82	CLUESB020004	3/4" hose (tank return)	1
83	CLUPEB10009	2" hose (tank return)	1
84	CLUPEB10009	2" hose (tank to pump)	1
85	CLUPEB10009	2" hose (Flowmeter to Servo)	1

LIQUID MASTER® T-SERIES



Watch Instruction Videos:

www.youtube.com

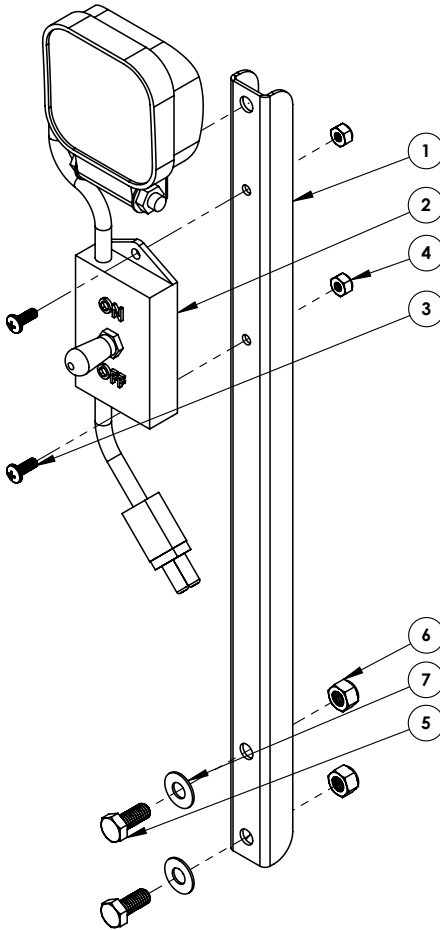
Search 'ICE MASTER SYSTEMS'

Discover More Helpful Tips:

www.IceControlTraining.com

PARTS LIST

ITEM NO.	Part #	DESCRIPTION	QTY.
1	AZKF0020	3 bank electric valve light bracket	1
2	CEWCIM05	Light Wire Harness IMS	1
3	CHMS900213	10-32 - 1/2 Pan head screw	2
4	CHNSN903	10-32 18-8 SS LOCKNUT	2
5	CHBS020323	5-16 x .75 SS Bolt	2
6	CHNSN0223	5-16 SS Nyloc Nut	2
7	CHWSF023	5-16 SS FLAT WASHER	2



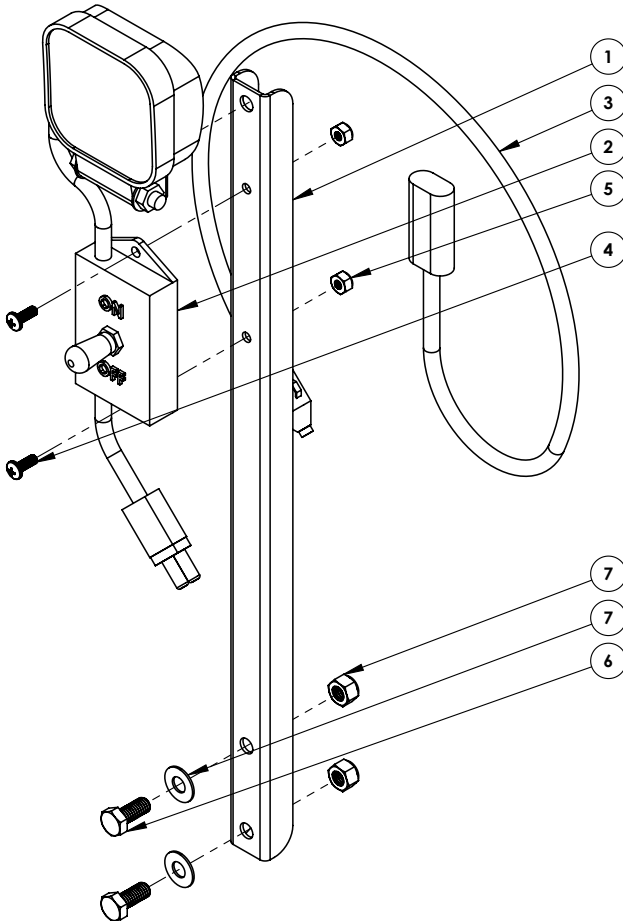
IMSLB01

Fits on all T-Series units without GPS

LIQUID MASTER® T-SERIES

PARTS LIST

ITEM NO.	Part #	DESCRIPTION	QTY.
1	AZKF0020	3 bank electric valve light bracket	1
2	CEWCIM05	Light Wire Harness IMS	1
3	CEWCIM07	24 ft.-16 GA 12V Harness for Light	1
4	CHMS900213	10-32 - 1/2 Pan head screw	2
5	CHNSN903	10-32 18-8 SS LOCKNUT	2
6	CHBS020323	5-16 x .75 SS Bolt	2
7	CHNSN0223	5-16 SS Nyloc Nut	2
7	CHWSF023	5-16 SS FLAT WASHER	2

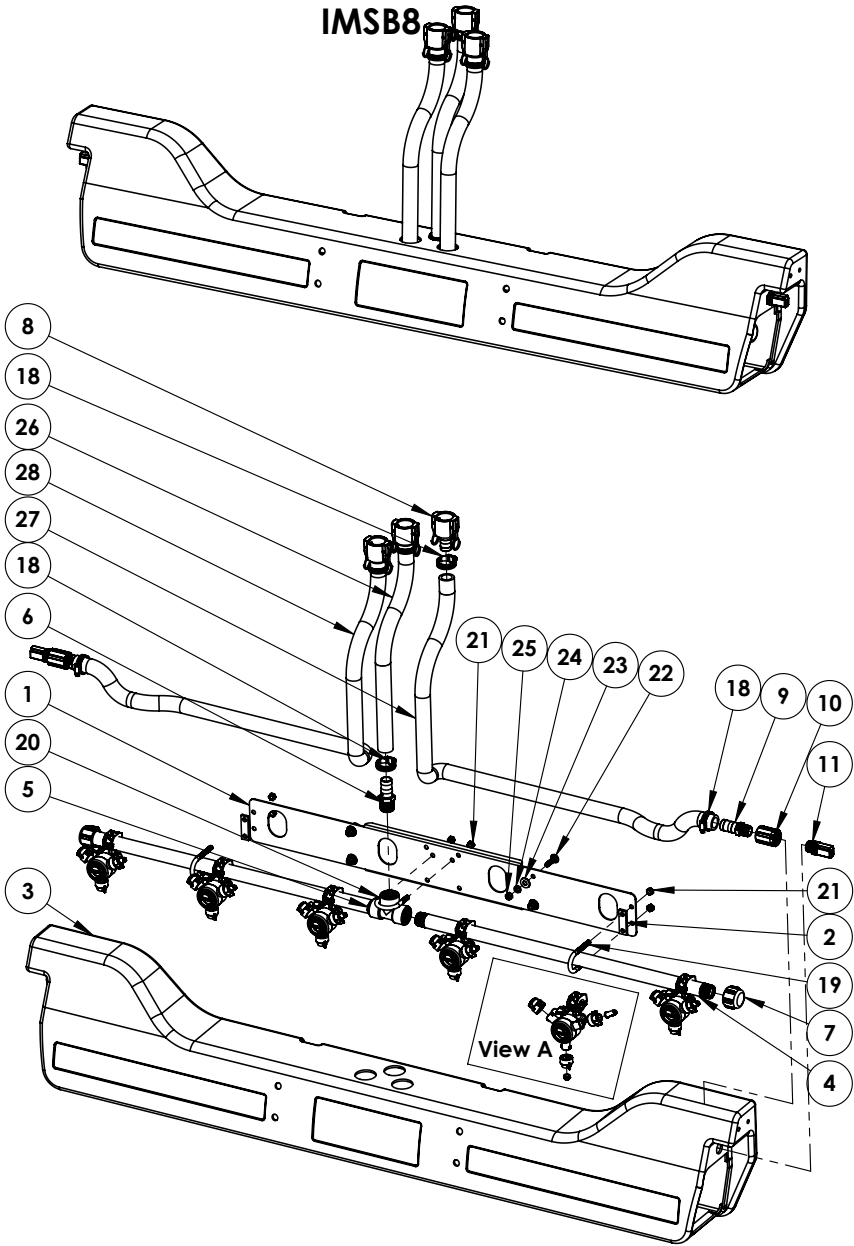


IMSLB02
Fits on T-Series Units w/GPS

LIQUID MASTER® T-SERIES

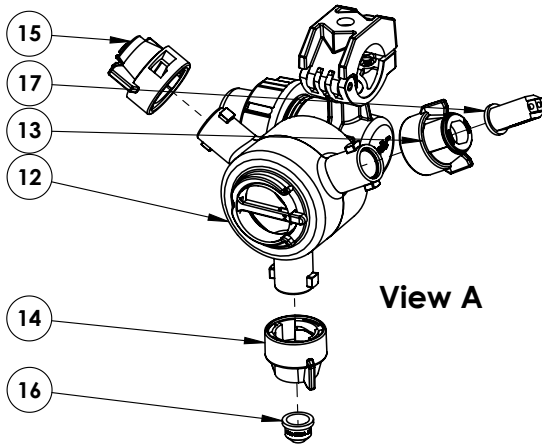
PARTS LIST

IMSB8



LIQUID MASTER® T-SERIES

PARTS LIST

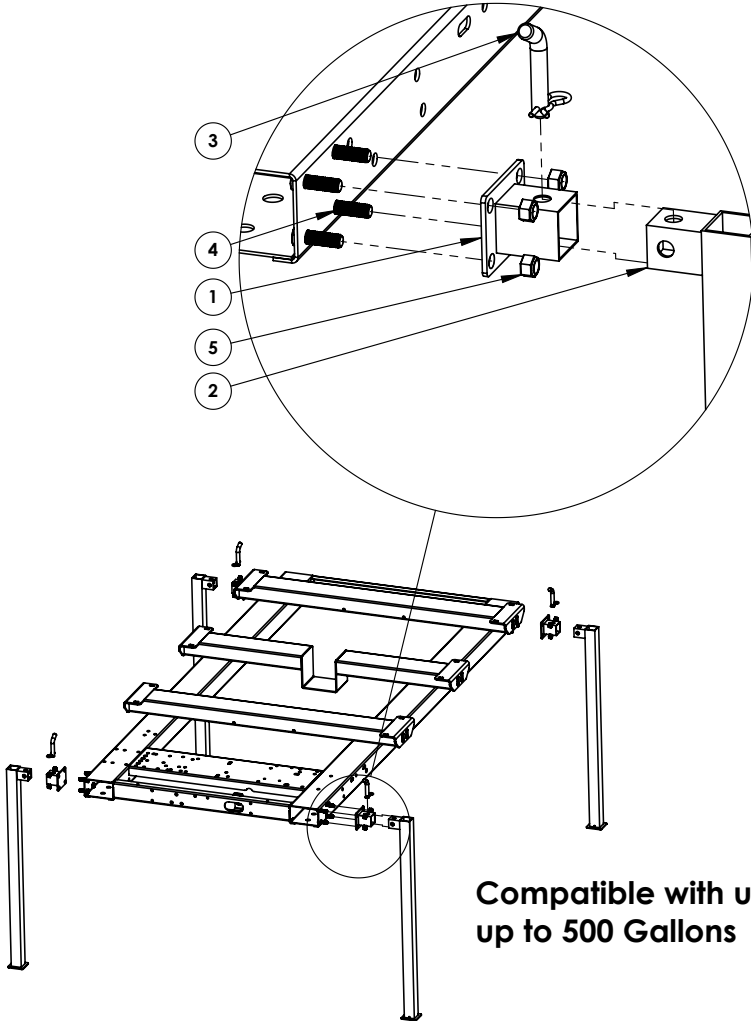


View A

ITEM NO.	Part #	DESCRIPTION	QTY.
1	AZFPM006	8 Nozzle Deicing Boom Bracket	1
2	AZFPM007	1/4" SS Boom Spacer	2
3	AMICS002	Poly Shroud For 8 Nozzle Boom	1
4	AZFPM009	1 IN Poly Pipe for Deicing boom 32 IN	2
5	CBTEE100	1 inch pipe tee	1
6	CFPS05M05B	1 Inch hose barb	1
7	CBCAP100	1 POLY PIPE CAP	2
8	CB100C	Female Coupling x 1 Hose Shank	3
9	CBHB075100	.75 Male Thread x 1 HB	2
10	CBCPLG075	.75 Poly pipe coupling	2
11	CNSE001	Boom Buster Mod. 370R Spray Nozzle	2
12	CNST001	1 IN 3 Way Nozzle Holder QJ383	6
13	CNST004	25598 REP. CAP CE White & Washer	6
14	CNST006	25608 REP. CAP CE Black & Washer	6
15	CNST008	Teejet Tip-Extended Flat Spray	6
16	CNST011	Teejet Tip, ST. STL solid stream	6
17	CNST002	3 Stream White Nozzle	6
18	CFCW003	Clamp for 1 inch hose	6
19	CHUS031234001	1.375 SS U-bolt	2
20	CHUS031234002	1.75 SS U-Bolt	1
21	CHNZN0325	3/8 Stainless Nylock nut	6
22	CHBS030723C	3/8" x 1-1/2" SS Carriage Bolt	4
23	CHWSF033	3/8 SS Flat washer	4
24	CHWSL033	3/8" SS Lock Washer	4
25	CHNSH0323	3/8 SS Hex Nut	4
26	CLUESB020005	1" hose (center boom hose)	1
27	CLUESB020005	1" hose (to boom buster tip)	1
28	CLUESB020005	1" hose (to boom buster tip)	1

PARTS LIST

ITEM NO.	Part #	DESCRIPTION	QTY.
1	AZKI001	IMS Leg Stand Sleeve	4
2	AZKI002	IMS Leg Stand Leg	4
3	CV722HP	5/8 x 3 Bent Hitch Pin	4
4	CHAS050723	1/2" x 1-1/2" Stainless Hex Bolt All Thread	16
5	CHNSN0533	1/2 Nylock Nut 304 SS	16



IMSLS01

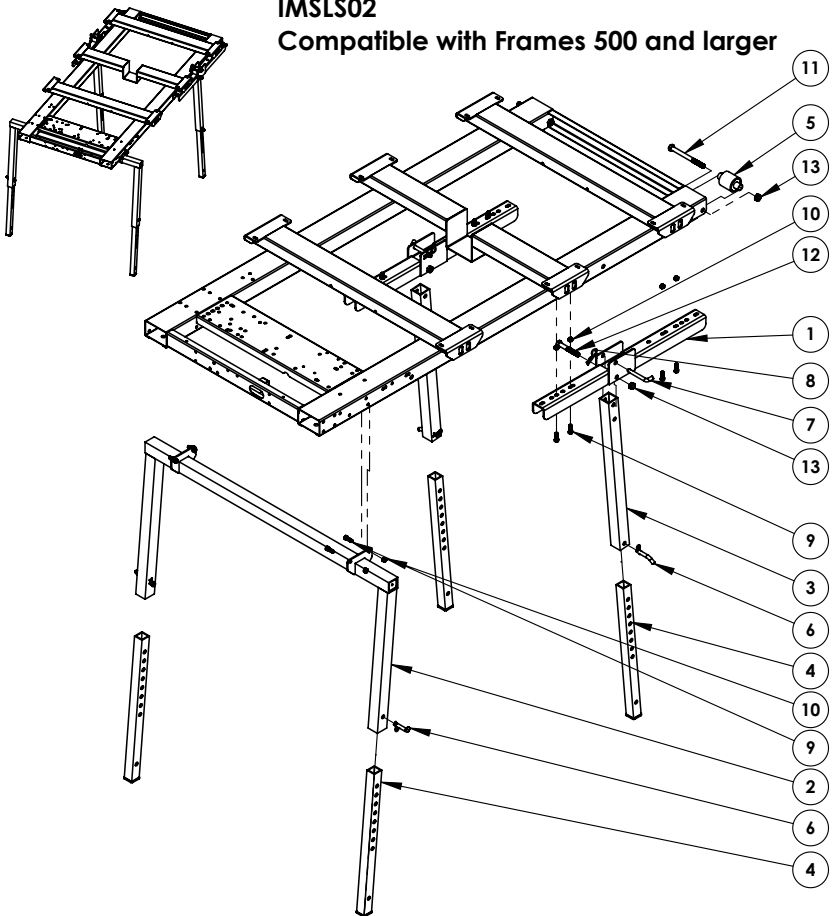
LIQUID MASTER® T-SERIES

PARTS LIST

ITEM NO.	Part #	DESCRIPTION	QTY.
1	AZKI003	Front Leg Bracket	2
2	AZKI005	Rear Bracket	1
3	AZKI004	Front upper leg	2
4	AZKI006	Bottom Leg	4
5	AZKIR001	Roller wheel for IMSLS02 Folding Leg Kit	2
6	CV722HP	5/8 x 3 Bent Hitch Pin	4
7	CHCS0617618	SS Bent-Pull Clevis Pin, 5/8" x 4 inch	2
8	CHKS0041418	18-8 Stainless Steel Hairpin Cotter Pin	2
9	CHAS050723	1/2" x 1-1/2" Stainless Hex Bolt All Thread	12
10	CHNSN0533	1/2 Nylock Nut 304 SS	12
11	CHBZ083525	8-1/2" zinc plated bolt	2
12	CHBS0821218	3/4" x 5" SS bolt	2
13	CHNSN08218	3/4" SS NYLON LOCK NUT 18-8(304)	4

IMSLS02

Compatible with Frames 500 and larger



ACTIVATE YOUR 10-YEAR WARRANTY

How to Activate

To double your 5-year tank warranty, visit enduraplaswarranty.com and register this product.



Watch Instruction Videos:

www.youtube.com

Search 'ICE MASTER SYSTEMS'

Discover More Helpful Tips:

www.icecontroltraining.com

STAY CONNECTED

Want to be kept up-to-date on the latest news and information from ICE MASTER SYSTEMS? ICE MASTER SYSTEMS has several ways to get easy access to news alerts and instant updates on what's happening. Join the ICE MASTER SYSTEMS Community and connect with other fans, participate in giveaways, see videos of products in action, give us input on new products, share your ICE MASTER SYSTEMS photos, and much more.



FIND US ON FACEBOOK

@icemastersystems



FIND US ON INSTAGRAM

@icemastersystems



WATCH US ON YOUTUBE



ICE MASTER SYSTEMS®
by Enduraplas

1 (877) 877-4370
info@icemastersystems.com
www.icemastersystems.com

113 1st Street, Neche
ND 58265, USA



Enduraplas®

A Brand By Enduraplas

Discover More Helpful Tips:
www.IceControlTraining.com