

ICE MASTER[®] H-SERIES

OWNER'S MANUAL




Product Code:
IMH050

Version 1.2

Copyright © Enduraplas. All Rights Reserved.



CONTENTS

INTRODUCTION	3
<hr/>	
WARNINGS 	4 - 7
<hr/>	
GETTING STARTED	8 - 14
<hr/>	
CALIBRATING	15 & 16
<hr/>	
MAINTAINING	17 & 18
<hr/>	
TROUBLESHOOTING	19 & 20
<hr/>	
PARTS BREAKDOWNS	21 - 30
<hr/>	
WARRANTY	31 - 33

INTRODUCTION

Congratulations! You now own a Camion™ sprayer. Durable design and construction assure you a lifetime of extreme performance. No sprayer is tougher. No sprayer will last longer.

Take a look through this owner's manual to learn how the pros use their Camion™ sprayer.



Watch Instruction Videos:

www.youtube.com

Discover More Helpful Tips:

www.icecontroltraining.com

WARNINGS

1. Do not exceed vehicle manufacturers loading, towing or lifting specifications and regulations.
2. Ensure tank is firmly secured in an appropriate manner.
3. Use caution at all times, particularly when driving on rough terrain.
4. Comply with chemical manufacturers safety requirements and all relevant legislations.
5. ALWAYS keep tank tightly covered, to prevent children or animals from entering tank.
6. Tank is not fire resistant. NEVER expose it to open flame or heat.
7. Keep sharp objects from tank. Tank could be punctured and contents could escape and cause injury to persons or property.
8. This tank can be used only with polyethylene compatible liquids. If you are uncertain, ask chemical supplier if material can safely be stored in a polyethylene tank. **USE OF TANK WITH ANY OTHER MATERIAL COULD CAUSE TANK TO FAIL, RESULTING IN INJURY OR PROPERTY DAMAGE.**
9. **DO NOT MIX CHEMICALS. THIS CAN RESULT IN DAMAGE TO THE TANK OR NEARBY PERSONS OR PROPERTY.**
10. Clean out tank before changing chemicals **OTHERWISE A DANGEROUS MIXTURE OF CHEMICALS COULD CAUSE DAMAGE TO PERSONS, TANK OR PROPERTY.**
11. Regular service and maintenance is the Owner's responsibility and is a condition of your warranty.
12. **FAILURE TO COMPLY WITH ALL WARNINGS AND INSTALLATION INSTRUCTIONS WILL VOID WARRANTY.**

13. No modifications and/or alterations may be made to this sprayer. Any such modifications not only void the sprayer warranty but can make the unit dangerous to anyone operating the pump.
14. Always inspect hoses and piping to avoid burst injuries.
15. DO NOT turn suction valve off while pump is running.
NEVER RUN PUMP DRY.
16. When connecting this sprayer to your vehicle, ensure that you have read the vehicles Owner's Manual and that you comply with all the weight restrictions can cause injury or death.
17. To ensure your own safety and that of others, you must comply with all relevant environmental, work place health, safety legislation and codes of practice.
18. Select and wear appropriate Personal Protection Equipment in accordance with the label of the product you intend to use.
19. Care should be taken when spraying in windy conditions as spray drift may contaminate the air and may affect the operator and damage the adjacent non-target vegetation.
20. Once the spraying operation has been completed, decontaminate the spray tank and spray accessories. Dispose of tank rinsing's in compliance with current environmental, work place health and safety regulations.
21. Personal Protection Equipment must still be worn while decontaminating your sprayer as per warning 20 above.
22. Improper or careless use of this sprayer can cause serious injury. Minors should not be used when bystanders or animals are in the area. This sprayer should never be used while children are in the area.

23. Never leave the sprayer unattended without turning off the pump, relieving the line pressure, and flushing the sprayer of any harmful chemicals.
24. You must be in good mental health to operate this sprayer and not be under the influence of alcohol or any drugs that could impair your vision, physical strength, dexterity, judgement, or other mental capacity.
25. No modifications and/or alterations may be made to this sprayer. Any such modifications not only void the sprayer warranty but can make the unit dangerous to anyone operating the pump.
26. Always inspect hoses and piping to avoid burst injuries.

COMPATIBLE LIQUIDS

Calcium Chloride Brine, Salt Brine and Premium Branded Liquids.

⚠ Caution: Brine that contain tacky substances or solid particles may clog pumps and nozzles. These are not recommended.

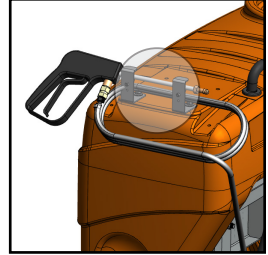
⚠ Warning: DO NOT USE any products that contain petroleum or petroleum by-products of any kind. These destroy seals and will void warranty.

Discover More Helpful Tips:
www.IceControlTraining.com

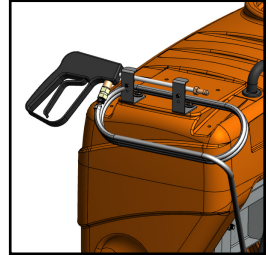
GETTING STARTED

Setting Up Your Sprayer

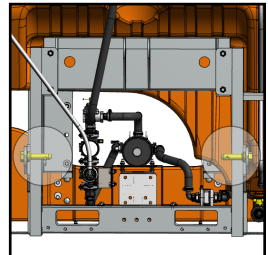
1) Remove hose from under sprayer and coil up hose on the two brackets mounted on top of tank.



2) Connect the spray gun in the wand clips.



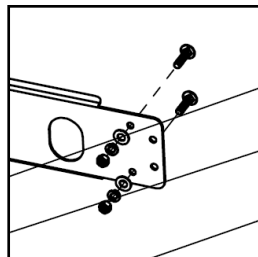
3) Remove mounting point pins from accessory box and install on the two sprayer mounting points.



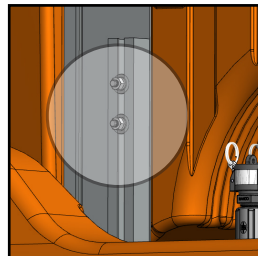
GETTING STARTED

Mounting Your Boom

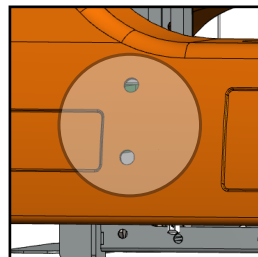
1) Take the four 3/8" x 1-1/2" carriage bolts and feed them through the back of the boom and install the 3/8" SS flat washer then the 3/8" SS lock washer and loosely install 3/8" SS hex nut.



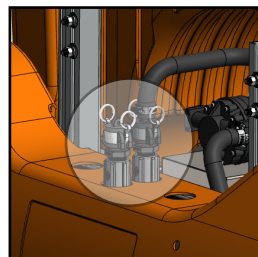
2) Slide boom down adjustable brackets, guiding the carriage bolts into the slots.



3) Using a 9/16" socket and extension, tighten boom at desired height.



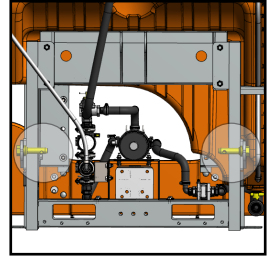
4) Connect supply hose to desired spray bar on boom using the camlock connector.



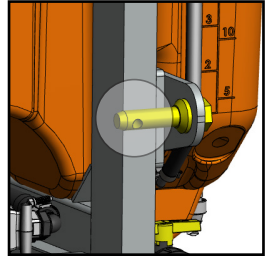
GETTING STARTED

Hooking Up Sprayer

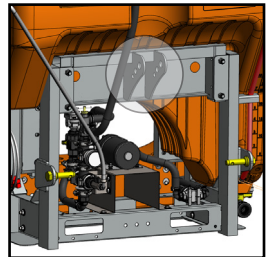
1) Back the tractor up to the sprayer aligning tractor hitch points with the arms at the height of the two lower mounting points.



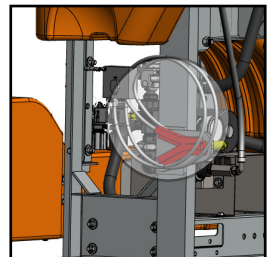
2) Hook the two lower tractor hitch arms to the mounting point pins on sprayer, then secure with lock pin.



3) Hook up the top three point arm on tractor to the third (top) mounting point on the sprayer and insert the lock pin.

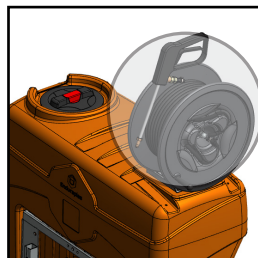


4) Route wire harness (make sure wire is not pinched or kinked) to your desired power supply and connect battery cables to their perspective posts. Red to positive post and black to negative post.



GETTING STARTED**Add On Options**

1) If you ordered an optional hose reel with your unit, take hose reel from under the sprayer and set on top of tank opposite to lid end.

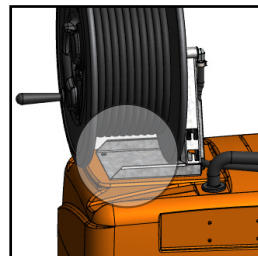


2) Secure hose reel frame to tank with provided hardware.

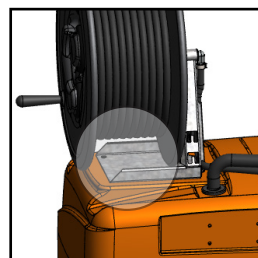
Qty. 4 - 3/8" x 3/4" bolts.

Qty. 4 - 3/8" flat washers.

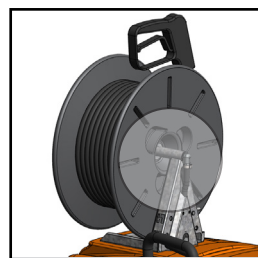
Qty. 4 - 3/8" lock washers.



3) Tighten the bolts, securely fastening hose reel to tank using a 9/16" wrench.



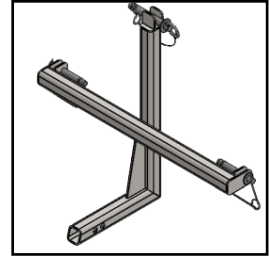
4) Connect 1/2" hose reel feed line to hose barb connection on the reel with supplied 1/2" hose clamp.



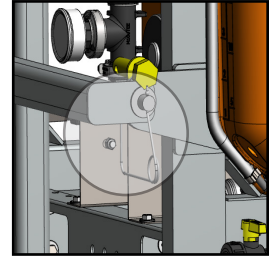
GETTING STARTED

Add On Options

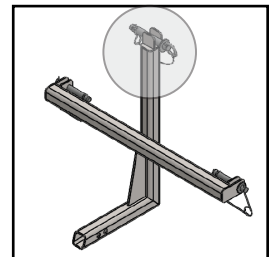
1) If you purchased an optional receiver hitch mount, unpackage hitch and provided pins.



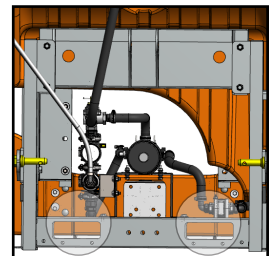
2) Take 3/4" x 4-1/4" quick connecting gold pins and insert into two lower mounting points connecting receiver hitch to unit.



3) Then, take 7/8" x 4-1/4" chrome pin and insert in top mounting connection, securing with provided R clip.

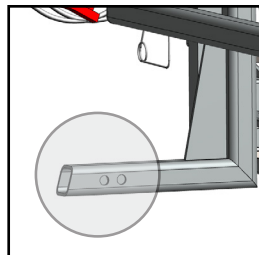


4) Next, lift unit using fork points in frame to align receiver mount to hitch.



GETTING STARTED**Add On Options**

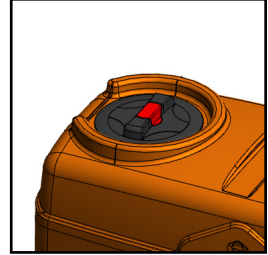
5) Align holes on hitch and receiver and install lock pin.



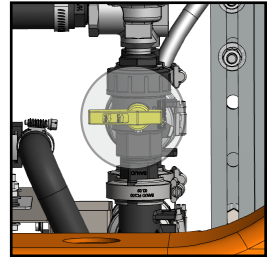
GETTING STARTED

Operating Your Sprayer

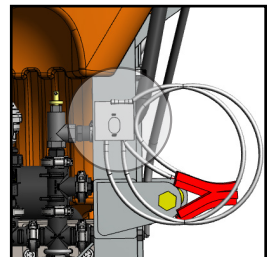
1) Take tank lid off and fill tank at least a quarter full with water, enough to run through the system to check all components are functioning correctly and are leak free.



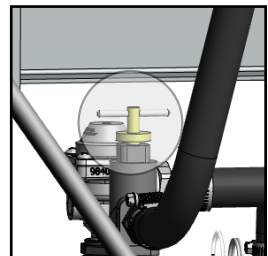
2) Ensure the inline valve between tank and pump is in open position (parallel to hose) to allow the liquid to flow from the tank to the pump.



3) Power on sprayer pump using the switch on wire harness. If there is liquid in the tank and the valve in step 2 is in the open position, the pump should prime automatically.



4) Adjust regulating valve to acquire desired pressure. Start by threading the regulating valve all the way down (clockwise), then back off 3 revolutions (counterclockwise).



CALIBRATING

Note: Always double check your application rates.
The rate/acre listed is only based off the center section
(not the two side nozzles)

NOZZLE COLOR	PSI	CAPACITY ONE NOZZLE IN GPM				8 GPM	10 MPH
		4 MPH	6 MPH	8 MPH	10 MPH		
White	20	0.56	42	28	21	16.6	
	30	0.72	53	36	27	21	
	40	0.80	59	40	30	24	
	50	0.88	65	44	33	26	
	15	0.092	68	46	34	27	
Green	20	1.06	79	52	39	31	
	30	1.30	97	64	48	39	
	40	1.50	111	74	56	45	

GPM = Gallons Per Minute

GPA = Gallons Per Acre

GAL/1000 FT = Gallons Per 1000 Square Feet

W = Nozzle spacing

Gallons Per Minute Formula:

$$\frac{\text{GPA} \times \text{MPH} \times \text{W (per nozzle)}}{5,940}$$

Gallons Per Minute Formula:

$$\frac{\text{GAL}/1000\text{FT} \times \text{MPH} \times \text{W (per nozzle)}}{136}$$

Gallons Per Acre Formula:

$$\frac{5,940 \times \text{GPM (per nozzle)}}{\text{MPH} \times \text{W}}$$

Gallons Per 1000 Square Feet:

$$\frac{136 \times \text{GPM (per nozzle)}}{\text{MPH} \times \text{W}}$$

Convert Acres to Lane Mile:

$$1.4545 = 1 \text{ Lane Mile}$$

Note: For video instructions on how to calibrate a boom visit <http://bit.ly/IMS-boom-calibration>

MAINTAINING

Keeping your sprayer in good condition will help you lengthen the life of the sprayer. Everyone knows a well maintained piece of equipment ensures a longer life span. Sprayer maintenance can seem a huge task if you don't have the right tools.



Watch Instruction Videos:

www.youtube.com

Discover More Helpful Tips:

www.icecontroltraining.com

<p>The information applies in normal operating conditions. The specific intervals must be shortened accordingly for longer daily working hours. If the machine is only used occasionally, the intervals can be extended accordingly.</p>	Before starting work	X											
	At the end of work and/or daily		X	X	X	X							
	Weekly or every 40 operating hours												
	After the first 5 operating hours												
	Every 250 operating hours or once a year												
	If damaged									X			X
	If required							X	X			X	
	Visual inspection (condition, leaks)												
	Complete machine												
	Tank, hoses and fittings												
In-line filter													
Spray lance nozzle													
All accessible screws and nuts													
Safety labels													
Pump													
<p>Read and follow all maintenance and care instructions in the Pump manual.</p>													

TROUBLESHOOTING

CONDITION	CAUSE	REMEDY
Pump will not prime	1) Air leak on suction plumbing 2) Blocked/Restricted intake hose 3) Filter cap disengaged 4) Filter gasket damaged/missing 5) Tank is empty	1) Tighten/replace fittings & hose clamps. Verify suction hoses are in good condition 2) Remove blockage from suction line, ensure line is not kinked 3) Lock filter cap into position 4) Replace filter gasket 5) Fill tank
Pressure drops/ fluctuates during standard operation	1) Restriction on suction line 2) Pump sucking air 3) Plugged filter 4) Damaged regulator	1) Inspect tank and suction lines and remove restriction 2) Tighten fittings 3) Remove and clean filter mesh and housing 4) Remove regulator stem and inspect for broken parts/pieces

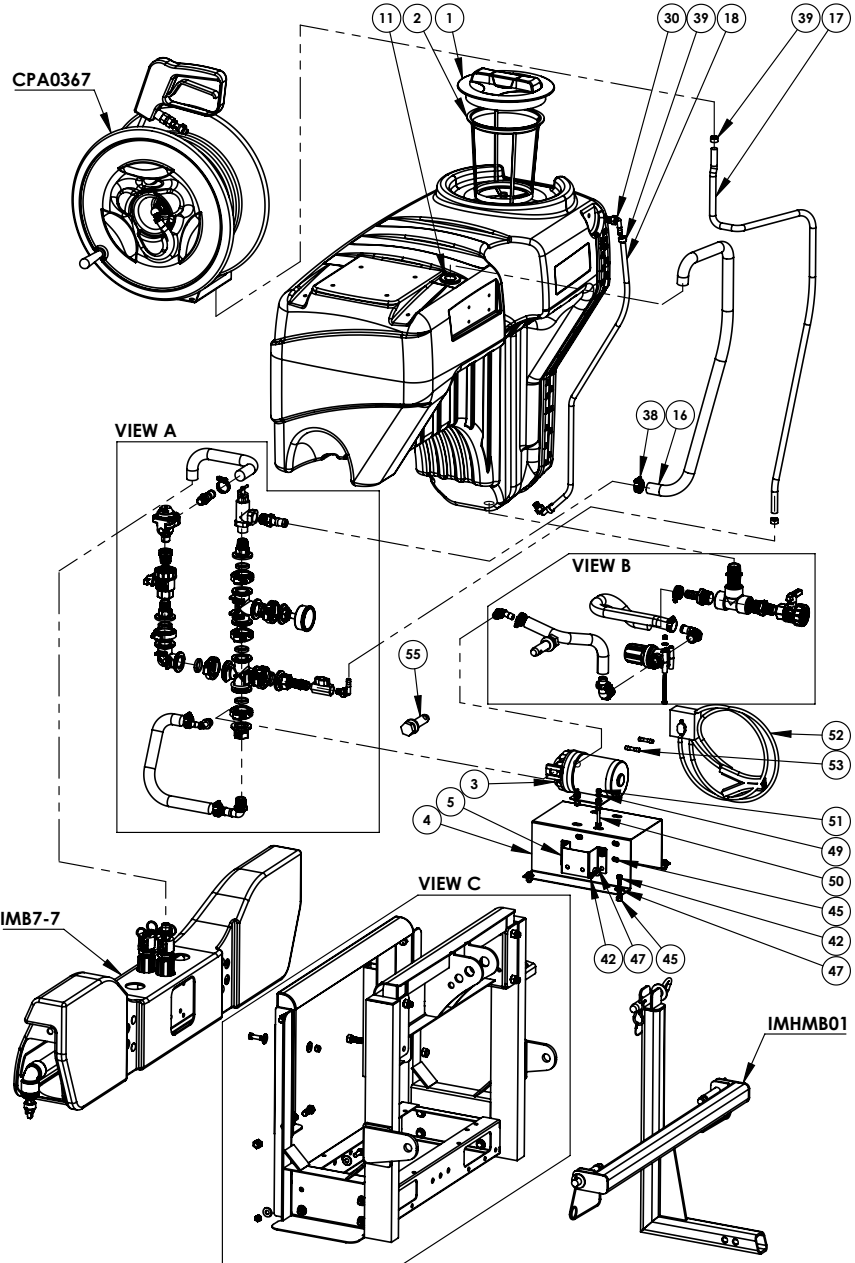
CONDITION	CAUSE	REMEDY
Pressure gauge not registering	1) Plugged with debris	1) Un-thread, check and clean pressure gauge
Hand gun loses pressure	1) Debris in hose or nozzle 2) Pump losing prime 3) Pump pressure dropping/fluctuating	1) Un-thread nozzle tip and clean 2) See Remedy for 'Pump will not prime or loses prime' 3) See Remedy for 'Pressure drops/ fluctuates during standard operation'



Watch Instruction Videos:
www.youtube.com

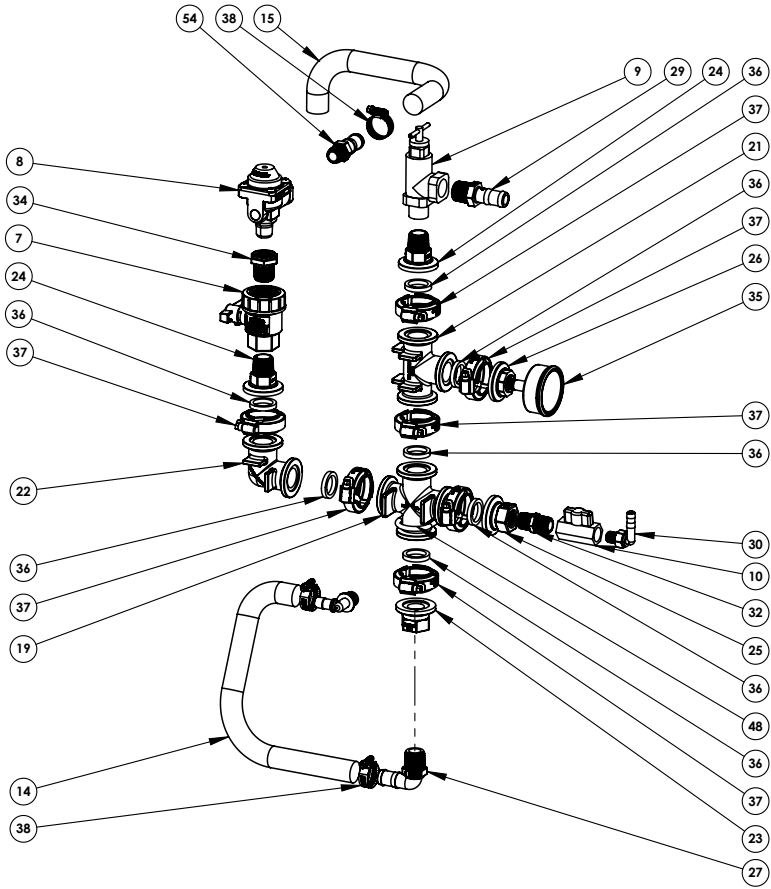
Discover More Helpful Tips:
www.IceControlTraining.com

OVERVIEW

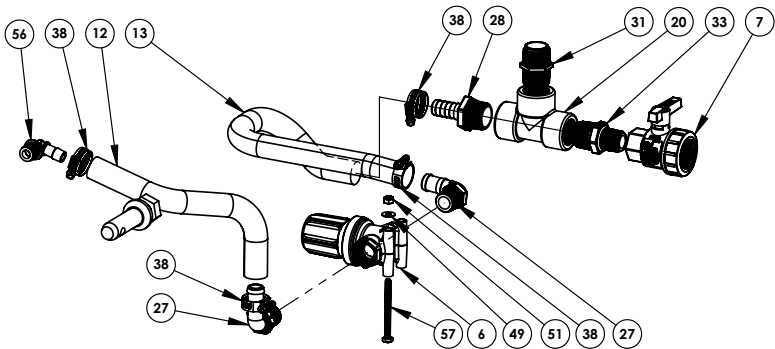


ICE MASTER® H-SERIES

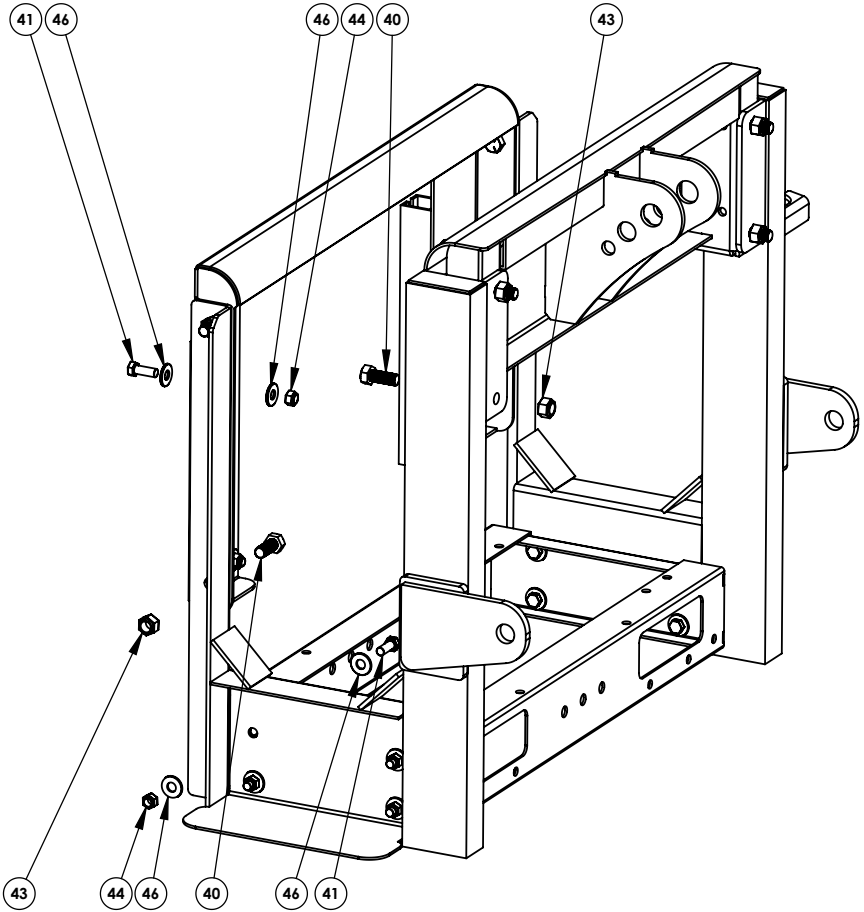
DETAIL VIEW A



DETAIL VIEW B



DETAIL VIEW C



ICE MASTER® H-SERIES

PARTS LIST

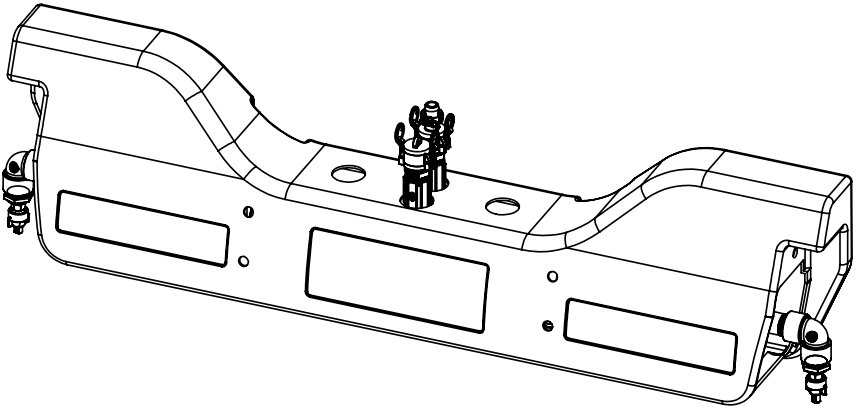
ITEM NO.	Part #	DESCRIPTION	QTY.
1	CA3511221	8 inch lid	1
2	CA300116	8 inch filter basket	1
3	APD07G060PQB	7 GPM 60PSI, Bypass, 1/2" Quick Attach	1
4	CSLC652	Pump Baseplate for IMS H-Series	1
5	CSLC653	Plumbing Bracket for IMS H-Series	1
6	CBLSTM07550	3/4 T-Strainer with Mesh Screen	1
7	CVPBV234	3/4 FPT Union Valve	2
8	CNST013	.5NPT x .5FPT Check Valve	1
9	CVRV20660158	3/4 Pressure Relief Valve	1
10	CVS34DX1	1/2 FIP x 1/2 FIP T-Handle Ball Valve	1
11	CPFG15	3/4 Press fit hose grommet	1
12	CLUESB020004	3/4 EPDM Hose	1
13	CLUESB020004	3/4 EPDM Hose	1
14	CLUESB020004	3/4 EPDM Hose	1
15	CLUESB020004	3/4 EPDM Hose	1
16	CLUESB020004	3/4 EPDM Hose	1
17	CLUESB020002	1/2 EPDM Hose	1
18	CLUVGC02502	Site gauge hose	1
19	CBM100CR	1" Flanged Cross	1
20	CBTEE100	1 FNPT Pipe Tee	1
21	CBM100TEE	1" Manifold Tee	1
22	CBM100CPG90	1" Manifold Coupling 90	1
23	CBM100075FPT	1 IN Flange x .75 FPT	1
24	CBM100075MPT	1 IN Flange x .75 IN Male Thread	2
25	CBM100050FPT	1 IN Flange x .5 IN Female Thread	1
26	CBM100PLG025	1 IN Flange x .25 FPT	1
27	CBHB07590	3/4 Male Thread x 3/4 Hose Shank 90	3
28	CBHB100075	1 Male thread x .75 hose barb	1
29	HB075	.75 Hose Barb x .75 Male Thread	1
30	CBHB02505090	1/4 MNPT x 1/2 Hose Barb	3
31	CFPN05M05M	1 Short Poly Nipple	1
32	CBNIP050SH	.5 IN Short Poly Nipple	1

PARTS LIST

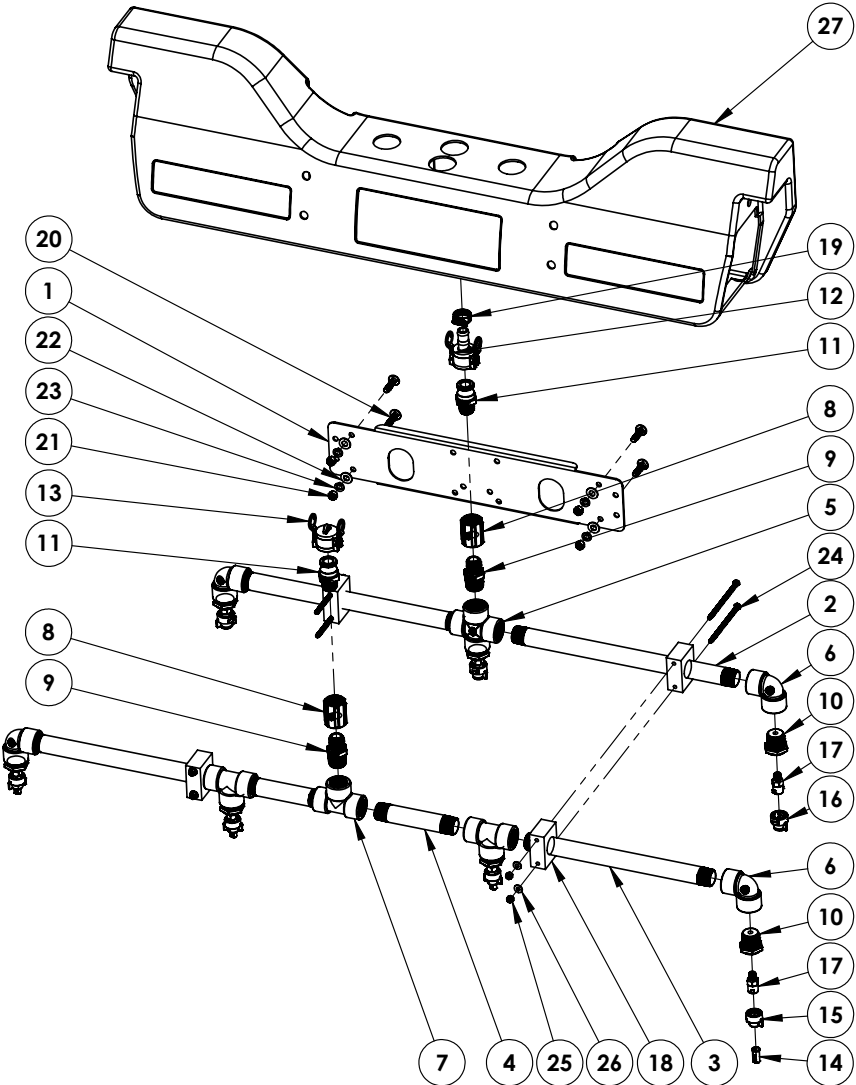
ITEM NO.	Part #	DESCRIPTION	QTY.
33	CBRN100-075	1 x 3/4 Poly Reducing Nipple	1
34	RB075-050	.75-in x .5-in Reducer Bushing	1
35	CV2240GXB100	Pressure gauge 100psi Glycerin filled	1
36	CBM100G	1" Manifold Gasket	7
37	CBFC100	1" Worm Screw Flange Clamp	7
38	CFCW001	Clamp For 3/4" Hose	8
39	CFCC003	Clamp for 1/2" Hose	4
40	CHBZ050625	1/2" x 1 1/4" Bolt	8
41	CHBZ030525	3/8" x 1" Bolt	12
42	CHBZ020325	5-16 x .75 Hex Bolt	8
43	CHNZN0525	1/2" Nylock Nut	8
44	CHNZN0325	3/8" Nylock Nut	12
45	CHNZN0225	5/16 Nylock nut	8
46	CHWZF035	3/8" Flat Washer	24
47	CHWZF025	5/16 Flat washer	8
48	CHUS031234001	1-in U-Bolt	1
49	CHWZF015	1/4" Flat Washer	9
50	CHBZ010725	1/4 X 1-1/2 Bolt	4
51	CHNZN0125	1/4 Nylock nut	5
52	CEWCIM01	Ice Master Wire Harness	1
53	CTEW029	Butt Connector Crimp	2
54	CBHB050075	1/2" MPT x .75 Hose Barb	1
55	CV151IP	3 point CAT 1 imp pin	2
56	CPPDD019	5900 Series 3/4" Elbow 90	2
57	CHBZ011325	.25 x 3 Bolt	1

IMB7 - 7 NOZZLE BOOM

ICE MASTER® H-SERIES

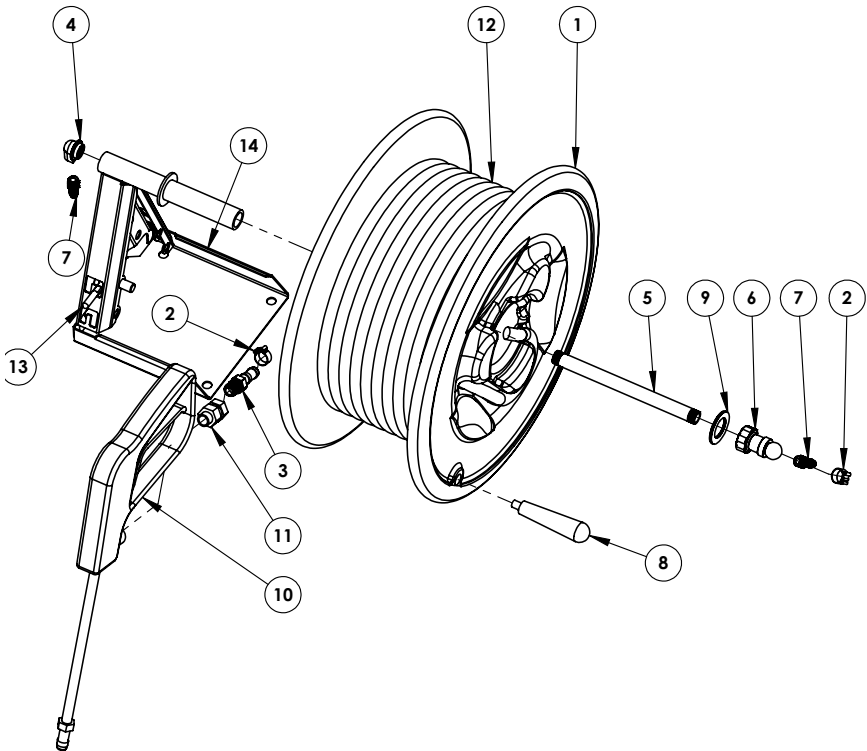


OVERVIEW



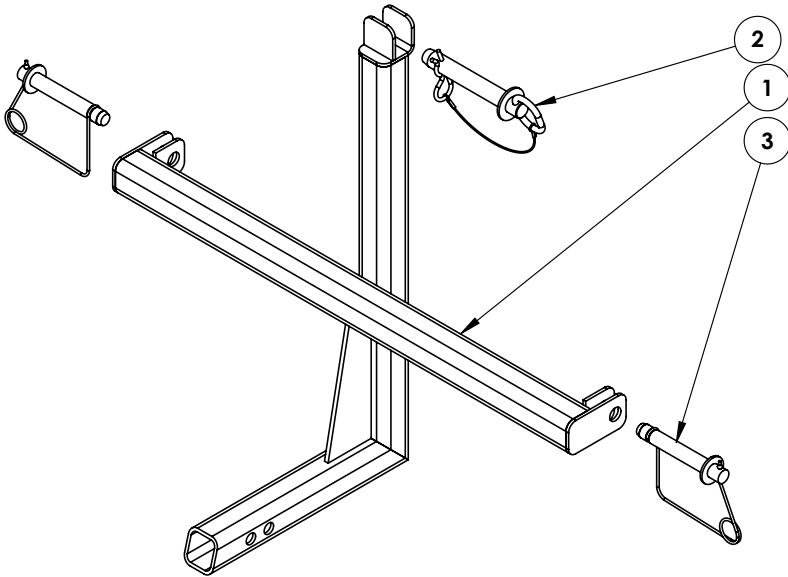
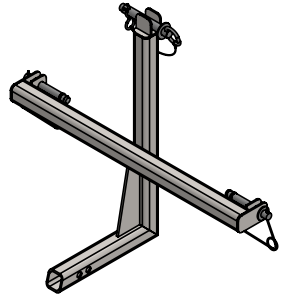
ITEM NO.	Part #	DESCRIPTION	QTY.
1	AZFPM005	IMS4-6 Stainless boom bracket	1
2	AZFPM020	1" x 17-3/4" Poly Pipe For Deicing Boom	2
3	AZFPM022	1" x 14-13/16" Poly Pipe For Deicing Boom	2
4	AZFPM021	1" x 6-1/4" Poly Pipe For Deicing Boom	2
5	CBCR100	1" Poly Pipe Cross	1
6	CBEL10090	1" Poly Pipe Elbow 90	4
7	CBTEE100	1 FNPT Pipe Tee	3
8	CBCPLG075	3/4" Poly Pipe Coupling	2
9	CBRN100-075	1 x 3/4 Poly Reducing Nipple	2
10	CBRB100025	1" MPT x 1/4" FPT Reducer Bushing	7
11	CB075F	3/4 Male Adaptor x 3/4 MPT	2
12	CB075C	3/4" Female Coupling X 3/4" Hose Shank	1
13	CB075CAP	1/2 and 3/4 Camlock cap	1
14	CNST002	3 Stream White Nozzle	4
15	CNST004	25598 REP. CAP CE White & Washer	4
16	CNST009	Teejet Tip/CAP XR 1-1/2 GPM	3
17	CNST017	TeeJet 1/4" NPT x BSPT Female Connection Adapter	7
18	AZFPM015	1" Pipe Clamp	4
19	CFCW001	Clamp For 3/4" Hose	1
20	CHBS030723C	3/8" x 1-1/2" SS Carriage Bolt	4
21	CHNSH0323	3/8" SS Hex Nut	4
22	CHWSF033	3/8" SS Flat Washer	4
23	CHWSL033	3/8" SS Lock Washer	4
24	CHBS012123	1/4" x 5" Long 18-8 Stainless Hex Head Bolt	4
25	CHNSN0123	1/4" Stainless Lock Nut	4
26	CHWSF013	1/4" SS Flat Washer	4
27	AMICS001	Poly Shroud For Deicing Boom	1

ITEM NO.	PART #	DESCRIPTION	QTY.
1	AMAH01GY	HR030/050 REEL ONLY	1
2	CFCC003	Clamp for 1/2" Hose	2
3	CFPS01M02B	3/8 MPT X 1/2 HOSE BARB	1
4	CFRB06	1/4-3/8 BSP FEMALE ELBOW	1
5	CFRB07	STAINLESS PIPE 3/8 THREAD BOTH ENDS	1
6	CFRB08	3/8 X 1/4 BALL BEARING SWIVEL	1
7	CFRB09	1/4 MALE THREAD X 1/2 HOSE BARB	2
8	CFRH03C	PHENOIC TAPERED HANDLE	1
9	CHWZF105	1 SAE Flat Washer	1
10	CVSTAL26SH	SPRAY GUN 9 INCH BARREL	1
11	CVSW038	3/8 FPT X 3/8 MPT SWIVEL	1
12	CLUESB020002	1/2 EPDM HOSE - 50"	1
13	AZKH0018	Lock for Small Hose Reel	1
14	AZKH0003	30-50 Base Mount HR Frame	1



IMHMBOI - HITCH

ITEM NO.	Part #	DESCRIPTION	QTY.
1	AZKI009SS	Bracket for Tail Gate Mount Sprayer Stainless Steel	1
2	CHCS0920618	Steel Hitch Pin, 7/8" Dia x 4-1/4" Usable Length	1
3	CV712HP	.75 IN x 4.25 IN snap Lock Hitch Pin	2



ICE MASTER® H-SERIES

WARRANTY

CAMION® LIMITED WARRANTY:

Camion®, a division of Enduraplas, LLC (“Camion”) agrees to provide this non-transferable, non-assignable limited warranty (“Limited Warranty”) to the original end-user purchaser (“Buyer”) only of registered Camion® products (“Camion® Products”) pursuant to the terms and conditions provided herein. By accepting delivery of Camion® Products the Buyer likewise agrees to the written terms and conditions of this Limited Warranty. This Limited Warranty gives the Buyer specific legal rights and the Buyer may have other rights that vary from state to state.

A. LIMITED WARRANTY COVERAGE

Camion® Products Complete Product Limited Warranty – Subject to the terms and conditions of this Limited Warranty, Camion® warrants to the Buyer of Camion® Products that it will be free from defects in workmanship for a period of two (2) Winter Seasons after the date of original purchase. Winter Season means October 1 through March 31 of any given year. At its sole option, Camion® will repair or replace defective parts at no charge for parts and labor.

Camion® Products Proprietary Parts and Frames Limited Warranty – Notwithstanding the foregoing and subject to the terms and conditions of this Limited Warranty, Camion® warrants to the Buyer of Camion® Products that the parts and frames will be free from material defects in materials or workmanship for a period of one (1) Year after the date of original purchase. At its sole option, Camion® will repair or replace defective parts at no charge for parts, but labor shall be the responsibility of the Buyer.

Third Party Parts and Components – This Limited Warranty does not cover certain third party manufactured parts and components, as such parts and components are covered by separate limited warranties provided by such third party manufacturers. For information regarding said limited warranties, please see each individual third party limited warranty.

Camion® Products Polyethylene Tank Limited Warranty - This Limited Warranty does not cover Camion® Products Polyethylene Tank(s), as such materials are covered by a separate limited warranty provided by Enduraplas®, LLC. For information regarding said limited warranty, please see the Enduraplas® Limited Warranty.

B. WHAT THIS LIMITED WARRANTY DOES NOT COVER

Camion® does not provide any warranty coverage, nor have any liability or responsibility for any defects, costs, expenses, or damages relating to any of the following:

- Expendable parts, such as nuts, bolts, etc. or any parts not furnished by Camion® or any damage caused by such parts.
- Airborne chemicals, road debris, salt, hail, floods, fire, windstorms, lightning or other acts of nature and other environmental conditions.
- Water contamination.
- Any part or product installed, repaired, or altered by anyone other than a Camion® Products authorized dealer or any damage caused by such parts or products.
- Normal wear and tear.
- Normal maintenance services.
- Incidental or consequential damages, including but not limited to inconvenience, transportation, personal injury, loss of property or loss of revenue.
- Parts or products that have been subject to abuse, negligence, accident, theft, tampering, misuse, neglect, corrosion, mishandling, improper installation, lack of or improper maintenance, care or storage.

WARRANTY

Installation of Camion® Products to a vehicle, including modification of Camion® Products or any such vehicle, is entirely at the Buyer's risk and expense, and compliance with motor vehicle regulations is the responsibility of the Buyer. Camion® is not responsible for any damage whatsoever to vehicles caused by installation or use of Camion® Products equipment.

Camion® Products are not intended for personal, family or household use and, as such, this Limited Warranty does not cover such use.

C. OTHER WARRANTIES DISCLAIMED AND EXCLUDED

THERE ARE NO WARRANTIES, EXPRESS OR IMPLIED, WHICH EXTEND BEYOND THE LIMITED WARRANTY HEREIN STATED, AND EXCEPT TO THE EXTENT PROHIBITED BY APPLICABLE LAW, CAMION® EXPRESSLY DISCLAIMS AND EXCLUDES ANY AND ALL OTHER WARRANTIES INCLUDING BUT NOT LIMITED TO WARRANTIES OF MERCHANTABILITY, FITNESS FOR PARTICULAR PURPOSE, INFRINGEMENT, CUSTOM OR USAGE OF TRADE, AND COURSE OF DEALING. NO AGENT, EMPLOYEE OR REPRESENTATIVE OF CAMION® HAS AUTHORITY TO BIND CAMION® TO ANY REPRESENTATION OR WARRANTY EXCEPT AS STATED IN THIS LIMITED WARRANTY.

D. PROCEDURE FOR OBTAINING WARRANTY COVERAGE

To submit a Limited Warranty claim, the Buyer must notify Camion® of the claimed defect within ten (10) days that the defect becomes known, in writing, at: cs@camionsystems.com. The original invoice or other similar proof of purchase of the applicable product or part must be provided by the Buyer to Camion® when making a claim under this Limited Warranty. Warranty claims must be received in writing by Camion® within the Limited Warranty period. To obtain service pursuant to this Limited Warranty, the Buyer must return the defective product or part to any Camion® Products authorized dealer (preferably, the dealer from whom the product or part was purchased). The Buyer shall be responsible for all transportation expenses to and from said dealer and accepts all risk of any damage in transit. To locate the nearest Camion® Products authorized dealer, please see the dealer locator at www.camionsystems.com.

The Limited Warranty is given solely to the Buyer and may not be transferred or assigned to any other person.

If you have questions about this Limited Warranty, contact Camion® at: cs@camionsystems.com.

E. GOVERNING LAW

This Limited Warranty will be governed by the laws of the State of North Dakota, without giving effect to any choice of law rule that would cause the application of the laws of any other jurisdiction. Any disputes regarding matters relating to this Limited Warranty will be resolved exclusively in the State of North Dakota and all parties consent to such jurisdiction. RIGHTS TO A JURY TRIAL, CLASS ACTION AND CONSOLIDATED DISPUTE RESOLUTION PROCEEDINGS ARE HEREBY WAIVED TO THE FURTHEST EXTENT PERMITTED BY LAW.

F. DISCLAIMER OF EXPENSES AND DAMAGES

The performance of necessary repairs and replacements, as determined by Camion® in its discretion, is the sole and exclusive remedy under this Limited Warranty or any implied warranty. Camion® does not authorize any person, including Camion® Products authorized dealers, to create for it any other obligation or liability in connection with Camion® Products. Except to the extent prohibited by applicable law, Camion® shall not be liable for personal injury, property damage, loss of liquid, loss of profit, incidental, consequential, contingent or special damages, or any other damages resulting from the use of, or inability to use, Camion® Products whether based on breach of this written Limited Warranty or any implied warranty, breach of contract, negligence or strict liability.

ACTIVATE YOUR 10-YEAR WARRANTY

How to Activate

To double your 5-year tank warranty,
visit www.camionsystems.com/warranty/
and register this product.



Watch Instruction Videos:
www.youtube.com

Discover More Helpful Tips:
www.IceControlTraining.com



CAMION[®]
by Enduraplas

1 (877) 265-9929
cs@camionsystems.com
www.camionsystems.com

113 1st Street, Neche
ND 58265, USA

Discover More Helpful Tips:
www.IceControlTraining.com